

*Saunders*<sup>®</sup>

**Cervical Traction  
User's Guide**



English . . . . . 1  
Español . . . . . 11  
Français . . . . . 23  
Deutsch . . . . . 35  
Italiano . . . . . 47  
Português . . . . . 59  
Nederlands . . . . . 71  
Svenska . . . . . 83  
Dansk . . . . . 95  
Norsk . . . . . 107  
Suomi . . . . . 119  
Türkçe . . . . . 131  
Ελληνικά . . . . . 143

# Cervical Traction User's Guide

## Table of Contents

Warnings and Precautions . . . . .	2
Indications For Use . . . . .	2
Contraindications For Use . . . . .	2
Before You Begin . . . . .	3
Components. . . . .	3
Preparing for Treatment . . . . .	4
Applying Traction . . . . .	4-5
Hand Pump Operation . . . . .	5-6
Maintenance and Troubleshooting . . . . .	7-8
Replacement Parts and Accessories . . . . .	8
Warranty Information . . . . .	8-9

---

Congratulations on your purchase of a Saunders Cervical Traction device.

Your new traction device is designed to provide safe and effective traction (stretching) to the cervical region (neck.) Your Saunders Cervical Traction device requires no assembly and is ready to use out of the case. If you have questions regarding its use or to report any problems, contact your authorized Empi Traction Dealer or Empi at 1-800-862-2343.

*Read these instructions completely before proceeding.*

This device may contain one or all of the following symbols:



For Prescription Only



Refer to User's Guide



Caution



## **Warnings and Precautions**

***WARNING: The sale of this device is restricted to individuals by or on the order of a physician. The instructions provided by your health care provider should be followed precisely. Do not exceed the recommendations of your health care provider.*** Exceeding these recommendations may aggravate an existing condition or cause additional injury. Traction should never cause pain. A stretching sensation or some slight discomfort may be felt during treatment. If pain is increased in the neck, back, arms or legs, or if you experience dizziness, nausea or any other type of pain or discomfort during or after treatment, discontinue use immediately and consult your health care provider before further use.

## **Indications for Use**

Depending upon the advice of your health care provider, cervical traction can be used to treat these conditions:

- osteoarthritis
- muscle tightness
- headaches
- joint stiffness
- herniated discs
- nerve root compression

## **Contraindications for Use**

Traction should not be used to treat these conditions:

- acute or traumatic injury
- rheumatoid arthritis
- spinal instability
- spinal cord compression
- fracture
- malignancy
- infections and inflammatory diseases
- any other conditions that may be made worse by movement

# Before You Begin

Review the guidelines you received from your health care provider regarding the:

- amount of traction recommended (never so much that it hurts)
- duration (amount of time) of each treatment
- hold and relax times if intermittent traction is recommended
- number of treatments recommended per week or per day
- angle of pull

Remove earrings and any other jewelry or neckwear. Articles of clothing such as ties, scarves, hats and bulky shirt collars or sweaters should be removed since they may interfere with treatment. If you have long hair it should not be gathered on the back of your head, as in a braid or bun, since this will not allow your head to rest in the proper position.

## Components

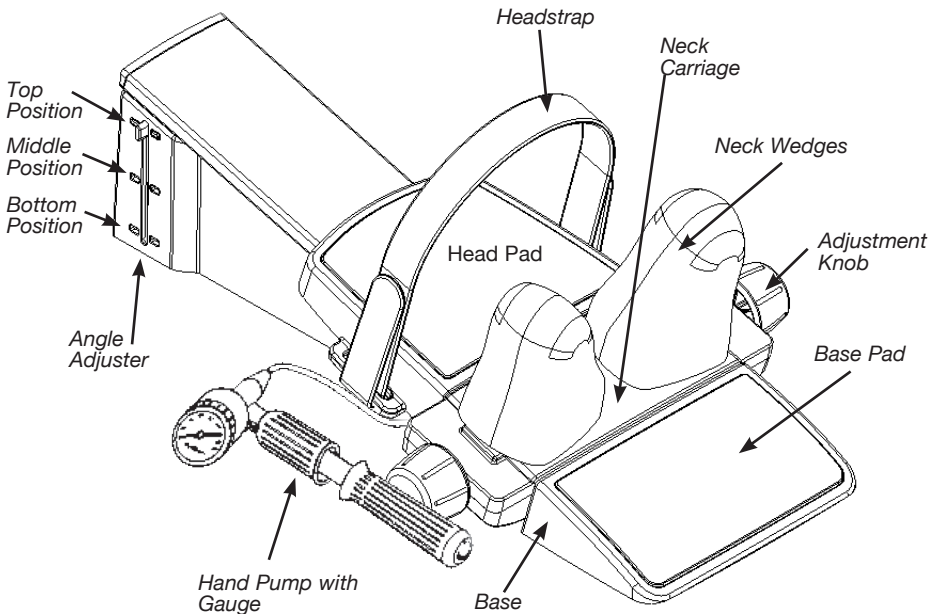


Figure 1. Components of the Saunders Cervical Traction device

## Preparing for Treatment

1. Place the Saunders Cervical Traction device on a carpeted floor or other firm surface. Check to make sure that the air hose is not being pinched by the bottom of the unit. Make sure you have enough room to lie down in a comfortable position.
2. Separate the neck wedges by rotating either of the black adjustment knobs so that your neck fits easily between the wedges. You can make additional adjustments after you lie down in the Saunders Cervical Traction device. **NOTE:** Do not over-rotate the adjustment knobs. This will result in stripping the internal gear.
3. Loosen the adjustable head strap.
4. Ensure the device is in the starting position - neck carriage should be touching the base. If not, rotate the gauge housing to the "RELEASE" position.
5. Set the traction angle prescribed by your health care provider by squeezing and sliding the tabs on both sides of the Angle Adjuster until it locks into place.

*Angle Adjuster Positions:* Top = 15 degrees, Middle = 20 degrees, Bottom = 25 degrees

**NOTE:** If your health care provider did not specify the angle of pull, leave the Angle Adjuster in the top position as shown (in Figure 1.)

6. Place the pump in a position so that you can reach it during treatment.
7. Set a timer for the length of treatment (not included with your Saunders Cervical Traction device.)

You are now ready to use the Saunders Cervical Traction device.

## Applying Traction

1. Lie on your back, positioning your body so the neck wedges cradle the middle or narrowest part of your neck and your head rests

comfortably on the head pad (See Figure 2.) The neck wedges should contact your neck midway between the tips of your earlobes and the top of your shoulders.

2. Turn either of the adjustment knobs until the wedges have moved firmly against both sides of the neck.
3. As you settle into the Saunders Cervical Traction device, the neck wedges may slightly rotate and self-adjust to the contour of your head and neck, or you can rotate the wedges manually as needed for the most comfortable fit.
4. Secure the head strap over your forehead, just above the browline. This strap should fit snugly.
5. Apply traction using the pump as described in the next section.

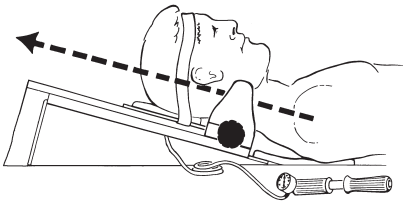
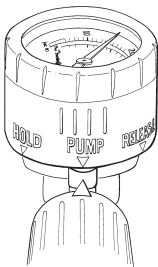


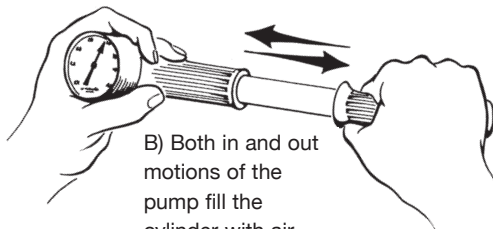
Figure 2. Using the Saunders Cervical Traction device

## Hand Pump Operation

Once you are secure and comfortable in your Saunders Cervical Traction device, you will apply traction by pumping air into a cylinder using a hand pump (Figure 3.)



A) Close-up of gauge housing.



B) Both in and out motions of the pump fill the cylinder with air.

Figure 3. Hand pump operation

Rotate the gauge housing of the hand pump to the “PUMP” position. Begin SLOWLY pumping air into the cylinder by stroking the pump handle all the way out and all the way in. Observe the gauge to make sure you are staying within the guidelines provided by your health care provider. When you have reached the desired amount of stretch, rotate the gauge housing to the “HOLD” position. Begin timing your treatment now, following the instructions of your health care provider.



**CAUTION:** Do not exceed level of traction prescribed by your health care provider. The stretch provided by traction should never cause pain. Relax . . . let your traction device do the work.

When the treatment is complete, release the traction by rotating the gauge housing to the “RELEASE” position.



**CAUTION:** Keep fingers away from the gap between the neck carriage and base.

Undo the head strap. You should rest and relax for a few moments; then move your head slightly up and down and side to side a few times before getting out of the traction device.

**NOTE:** In the course of your treatment it is normal for a small loss of pressure (by 10%) due to the relaxation of your spine. As this occurs, add additional air to return to the prescribed force. If you give too much traction, rotate the gauge housing to the “RELEASE” position to let some air out of the system.

### **Review of Hand Pump Operation**

1. “HOLD” - holds traction force at the desired level.
2. “PUMP” - fills the cylinder with air, increasing the traction force.
3. “RELEASE” - empties air from the cylinder during or after treatment and prior to use.



# Maintenance and Troubleshooting

## Maintenance

If you believe your Saunders Cervical Traction device requires maintenance, contact your authorized Empi Traction Dealer or contact Empi at 1-800-862-2343.

## Cleaning

All surfaces of your Saunders Cervical Traction device may be cleaned with a mild detergent or disinfectant. Do not immerse unit in water. If unit is transferred between different users, all surfaces should be cleaned using standard cleaning techniques paying particular attention to the components that come in contact with the body; we recommend using a new head strap.

## Storage

Your Saunders Cervical Traction device should be stored in its protective case.

## Troubleshooting

The Saunders Cervical Traction device features a very accurate, sensitive gauge. The pump is specifically designed not to leak in the “HOLD” position. If you notice a drop in the gauge reading when in the “HOLD” position it is probably because you have relaxed or moved slightly. If this happens, return to the “PUMP” position and pump back to the desired force, then reset to “HOLD.”

Proper operation of the Saunders Cervical Traction device requires that the air system be virtually leak-free. If the traction force is not maintained, there may be a leak somewhere in the system.

### **Questions to Ask:**

- Is the pump in the “PUMP” position when pumping?
- Is the pump in the “HOLD” position when receiving treatment?
- Are you lying still? (Any movement will cause fluctuation.)
- Are you pumping slowly?
- Are all connections tight (i.e. hose cap, lens cap, good hose connection at the cylinder?)

***If the unit is leaking air, try the following:***

- Check the air hose connections at the cylinder and the pump and gently tighten as necessary. Do not over-tighten as the threads may strip.
- Make sure that the unit has not slipped and gone to full excursion (4")
- Perform a POP test. With no one in the unit, pump up the pressure until the unit makes a loud pop (at about 50 lbs.) then rotate the gauge to the release position, and proceed with your treatment.

If you have any questions, please call your authorized Empi Traction Dealer or call Empi Customer Service at 1-800-862-2343.

## **Replacement Parts and Accessories**

Below is a listing of replacement parts and accessories. Please call 1-800-328-2536 for details and pricing.

<b>DESCRIPTION</b>	<b>PART NUMBER</b>
Headstrap and Pads	700723
Hand Pump Replacement Kit	700472
Angle Adjuster	700724
Carrying Case	700725
Instructional DVD	802968
User's Guide	360365

## **Warranty**

### **I. Warranty**

Empi warrants the Saunders Cervical Traction device to be free from defects in workmanship and materials for one year.

Empi will repair or replace, at its facility, any product found to be defective. This warranty does not apply to any product damaged by misuse, or repaired or altered by anyone other than Empi in Clear Lake, South Dakota.

This warranty is in lieu of any or all other warranties, expressed or implied. No person is authorized to bind Empi to any representation of warranty other than those specifically set forth herein.

NOTE: Warranty period begins with the date of purchase from manufacturer for one year.

### **II. Limitation of Liabilities and Disclaimer of Warranties**

A. Empi's sole obligation in the case of any breach of its warranties set forth in Paragraph I above, shall be, at Empi's option, to repair or replace the Product with a new or factory

reconditioned product without charge to Purchaser or to refund the purchase price of the Product. In order to recover under this Warranty, Purchaser must send Empi written notice of the defect (setting forth the problem in reasonable detail) prior to expiration of the Warranty Period, and within 30 days of discovery of the defect. Upon Empi's written request and authorization, Purchaser shall return the Product to Empi, freight and insurance prepaid, for inspection. Notice and return shipment shall be sent to Empi at Clear Lake, 47492, HWY 22 Clear Lake, South Dakota. Purchaser may request shipment approval by calling Empi Warranty Repair Department on its toll free number 1-800-862-2343. In the case of repairs or returns outside of North America, contact your Authorized Empi Distributor, or contact Empi directly at 1-800-328-2536. Empi will not be responsible for damage due to improper packaging or shipment. If Empi determines in its sole reasonable discretion that the Product contains defective workmanship or materials. Empi will refund to the Purchaser the purchase price for the defective product, or return the repaired Product or a replacement thereof to Purchaser, freight and insurance billed to the Purchaser, as soon as reasonably possible following receipt of the Product by Empi. If Empi determines in its sole reasonable discretion that the Product does not contain defective workmanship or materials. Empi will return the Product to the Purchaser, freight and insurance billed to the Purchaser.

B. This warranty is voided immediately as to any Product which has been repaired or modified by any person other than authorized employees or agents of Empi or which has been subjected to misuse, abuse, neglect, damage in transit, accident or negligence.

C. EXCEPT AS PROVIDED IN PARAGRAPH I, THE PRODUCT IS BEING SOLD ON AN "AS IS" BASIS, ALL ACCESSORIES ARE SOLD "AS IS", AND THE ENTIRE RISK AS TO THE QUALITY AND PERFORMANCE OF THE PRODUCT IS WITH PURCHASER. THE WARRANTY PROVIDED IN PARAGRAPH I IS INTENDED SOLELY FOR THE BENEFIT OF THE INITIAL PURCHASER AND EMPI DISCLAIMS ALL OTHER WARRANTIES, EXPRESS OR IMPLIED INCLUDING, BUT NOT LIMITED TO ANY IMPLIED WARRANTIES HOWEVER, THAT NOTWITHSTANDING THE FOREGOING SENTENCE IN THE EVENT AN IMPLIED WARRANTY IS DETERMINED TO EXIST, THE PERIOD FOR PERFORMANCE BY EMPI THEREUNDER SHALL BE LIMITED TO THE LIFETIME OF THE INITIAL PURCHASER. NO EMPLOYEE, REPRESENTATIVE OR AGENT OF EMPI HAS ANY AUTHORITY TO BIND EMPI TO ANY AFFIRMATION, REPRESENTATION OR WARRANTY EXCEPT AS STATED IN THIS WRITTEN WARRANTY POLICY.

(This Warranty gives Purchaser specific legal rights and Purchaser may also have other rights which vary from state to state. Some states do not allow limitations of how long an implied warranty lasts, so the above limitation may not apply to the Purchaser.)

D. EMPI SHALL NOT BE LIABLE TO ANY PERSON FOR ANY DIRECT, INDIRECT, SPECIAL, INCIDENTAL, OR CONSEQUENTIAL DAMAGES, LOST PROFITS OR MEDICAL EXPENSES CAUSED BY ANY DEFECT, FAILURE, MALFUNCTION OR OTHERWISE OF THE PRODUCT, REGARDLESS OF THE FORM IN WHICH ANY LEGAL OR EQUITABLE ACTION MAY BE BROUGHT AGAINST EMPI (E.G. CONTRACT, NEGLIGENCE OR OTHERWISE) THE REMEDY PROVIDED IN PARAGRAPH I ABOVE SHALL CONSTITUTE PURCHASER'S SOLE REMEDY. IN NO EVENT SHALL EMPI'S LIABILITY UNDER ANY CAUSE OF ACTION RELATING TO THE PRODUCT EXCEED THE PURCHASE PRICE OF THE PRODUCT.

(The Warranty gives Purchaser specific legal rights and Purchaser may also have other rights which vary from state to state. Some states do not allow the exclusion or limitation of incidental or consequential damages, so the above limitation may not apply to the Purchaser.)



*Saunders*<sup>®</sup>

## Guía del usuario de tracción cervical





# Guía del usuario de tracción cervical

## Índice

Advertencias y precauciones . . . . .	14
Indicaciones de uso . . . . .	14
Contraindicaciones . . . . .	14
Antes de comenzar . . . . .	15
Componentes. . . . .	15
Preparación para el tratamiento. . . . .	16
Aplicación de tracción . . . . .	16-17
Funcionamiento de la bomba manual . . . . .	17-18
Mantenimiento y resolución de problemas . . . . .	18-20
Accesorios y piezas de repuesto . . . . .	20
Garantía . . . . .	20-21

---

Enhorabuena por la adquisición del dispositivo Saunders tracción cervical.

Este dispositivo está diseñado para dotar de tracción segura y efectiva (estiramiento) a la zona cervical (cuello). El dispositivo Saunders tracción cervical no requiere montaje y viene preparado para un uso inmediato tras su adquisición. Si tiene dudas o desea informar sobre algún problema, póngase en contacto con su proveedor de Empi Traction o con Empi (1-800-862-2343, para EE.UU.).

*Lea estas instrucciones antes de proceder a utilizar el producto.*

Este dispositivo puede incluir los siguientes símbolos:



Sujeto a prescripción



Consulte la Guía del usuario



Precaución



## **Advertencias y precauciones**

**ADVERTENCIA:** *la venta de este dispositivo está sujeta a prescripción médica. Deben observarse minuciosamente las instrucciones del personal sanitario. No supere las recomendaciones establecidas por el personal sanitario.* De lo contrario, podría agravar la dolencia existente o provocar otra lesión. La tracción no debería causar dolor en ningún momento. El tratamiento puede provocar sensación de estiramiento o una molestia leve. Si nota un aumento del dolor en cuello, espalda, brazos o piernas, experimenta sensación de mareo, náuseas o cualquier otro tipo de dolor o molestia durante o después del tratamiento, deje de utilizar el dispositivo inmediatamente y consulte con el personal sanitario.

## **Indicaciones de uso**

La tracción cervical, en el modo establecido por el personal sanitario, se puede utilizar como tratamiento de las siguientes dolencias:

- osteoartritis
- dolores de cabeza
- hernia discal
- tensión muscular
- rigidez articular
- compresión de raíz nerviosa

## **Contraindicaciones**

No se debe utilizar tracción para tratar estas dolencias:

- traumatismos
- inestabilidad raquídea
- fractura
- enfermedades infecciosas e inflamatorias
- cualquier otra dolencia que pueda empeorar con el movimiento
- artritis reumatoide
- compresión medular
- enfermedad maligna



## Antes de comenzar

Repase las pautas que el personal sanitario le ha establecido sobre:

- la tracción recomendada (no debe provocar dolor)
- la duración (tiempo) de cada tratamiento
- los tiempos de uso y descanso si se ha recomendado tracción intermitente
- número de tratamientos recomendados al día o a la semana
- ángulo de tracción

Quítese los pendientes, collares y accesorios similares. No utilice corbatas, pañuelos, sombreros, cuellos de camisa grandes ni suéteres, porque podrían interferir con el tratamiento. Si tiene el pelo largo, no lo tenga recogido en la parte posterior de la cabeza (coleta o moño) para que ésta pueda descansar en la posición apropiada.

## Componentes

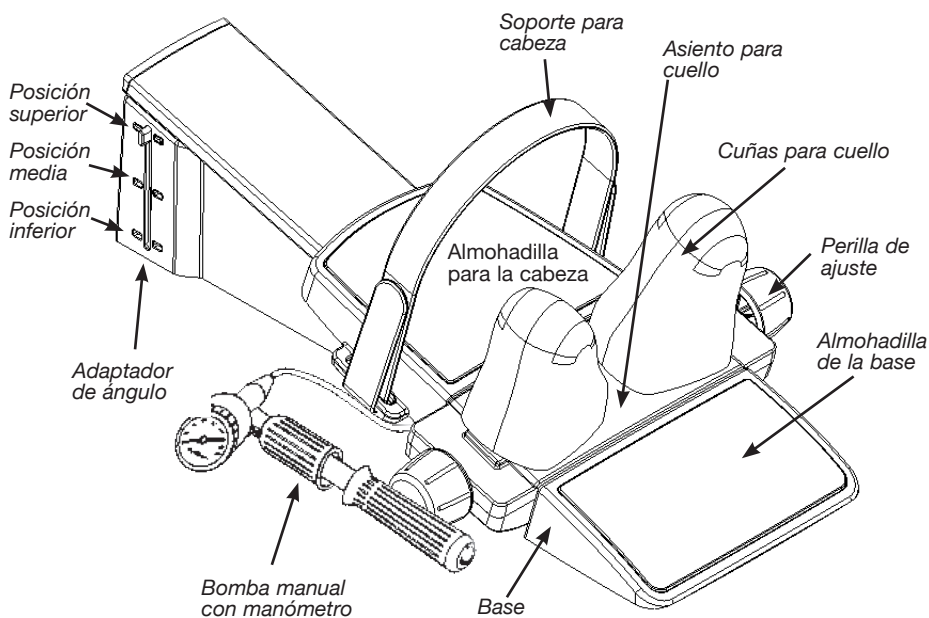


Figura 1. Componentes del dispositivo Saunders tracción cervical

## Preparación para el tratamiento

1. Coloque el dispositivo Saunders tracción cervical sobre un suelo alfombrado u otra superficie firme. Compruebe que la parte inferior de la unidad no bloquea la toma de aire. Asegúrese de que dispone del espacio suficiente para tumbarse cómodamente.
2. Gire las perillas de ajuste negras para separar las cuñas y ajustar éstas cómodamente a ambos lados del cuello. Tras tumbarse, podrá realizar más ajustes en el dispositivo Saunders tracción cervical. **NOTA:** no gire en exceso las perillas de ajuste, ya que podría dañar el engranaje interno.
3. Afloje el soporte ajustable para la cabeza.
4. Asegúrese de que el dispositivo está en posición de inicio: el asiento para el cuello debe estar tocando la base. Si no es así, gire el compartimento del manómetro para situarlo en la posición “RELEASE” (Liberar).
5. Establezca el ángulo de tracción prescrito por el personal sanitario. Para ello, apriete y deslice las pestañas de ambos lados del Adaptador de ángulo hasta que queden fijas.

*Posiciones del adaptador de ángulo:* Superior = 15 grados,  
Media = 20 grados, Inferior = 25 grados

**NOTA:** si el personal sanitario no ha especificado ningún ángulo de tracción, deje el Adaptador de ángulo en la posición superior, tal y como aparece en la ilustración (Figura 1).

6. Coloque la bomba en una posición que le permita tenerla a mano durante el tratamiento.
7. Utilice un cronómetro para controlar la duración del tratamiento (no viene incluido con el dispositivo Saunders tracción cervical).

Tras estos pasos, ya puede utilizar el dispositivo Saunders tracción cervical.

## Aplicación de tracción

1. Túmbese de espaldas y sitúe el cuerpo de tal modo que las cuñas para el cuello abarquen la zona media, o más estrecha, del cuello, y la cabeza

descanse cómodamente en la almohadilla para la cabeza (Figura 2). Las cuñas para el cuello deben tocar el cuello a media distancia entre las puntas de los lóbulos y la parte superior de los hombros.

2. Gire cualquier perilla de ajuste hasta conseguir que las cuñas sujeten firmemente ambos lados del cuello.
3. Al acomodarse en el dispositivo Saunders tracción cervical, las cuñas para el cuello podrían rotar ligeramente para autoadaptarse al contorno de la cabeza y el cuello. También puede rotar manualmente las cuñas hasta conseguir el ajuste idóneo.
4. Ajuste el soporte para la cabeza en la frente, justo por encima de las cejas. Debe quedar perfectamente ajustado.
5. Aplique tracción con la bomba, como se describe en la siguiente sección.

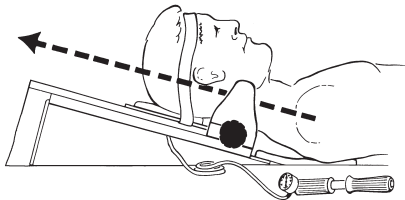
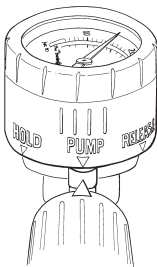


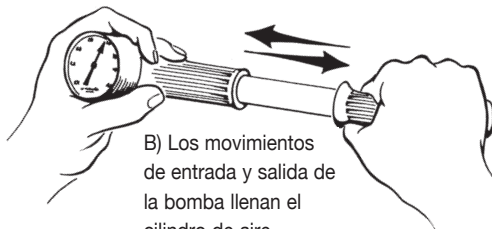
Figura 2. Uso del dispositivo Saunders tracción cervical

## Funcionamiento de la bomba manual

Tras situarse convenientemente en el dispositivo Saunders tracción cervical, utilizará una bomba manual para bombear aire a un cilindro y aplicar, de este modo, tracción (Figura 3).




A) Detalle del compartimento del manómetro.




B) Los movimientos de entrada y salida de la bomba llenan el cilindro de aire.

Figura 3. Funcionamiento de la bomba manual.

Gire el compartimento del manómetro de la bomba manual hasta la posición “PUMP” (Bomba). Comience a bombear aire LENTAMENTE al cilindro, accionando la maneta de la bomba en todo su recorrido de salida y de entrada. Fíjese en el manómetro para asegurarse de que se halla dentro de las pautas establecidas por el personal sanitario. Una vez alcanzado el estiramiento deseado, gire el compartimento del manómetro hasta la posición “HOLD” (Mantener). En este momento, comience a cronometrar el tratamiento prescrito por el personal sanitario.

 **AVISO:** no supere el nivel de tracción prescrito por el personal sanitario. El estiramiento provocado por la tracción no debe causar dolor en ningún momento. Relájese... deje que el dispositivo de tracción haga el trabajo.

Tras finalizar el tratamiento, libere la tracción. Para ello, gire el compartimento del manómetro hasta la posición “RELEASE” (Liberar).

 **AVISO:** no ponga los dedos en la cavidad existente entre el asiento para el cuello y la base.

Libere el soporte para la cabeza. Descanse y relájese un momento; a continuación, mueva ligeramente la cabeza arriba-abajo y derecha-izquierda varias veces antes de salir del dispositivo de tracción.

**NOTA:** durante el tratamiento es normal que se produzcan pequeñas pérdidas de presión, en torno al 10%, debido a la relajación de la columna vertebral. Corrija estas pérdidas para recuperar la fuerza prescrita. Si ha aplicado tracción en exceso, gire el compartimento del manómetro hasta la posición “RELEASE” (Liberar) para que el sistema libere algo de aire.

### **Claves del funcionamiento de la bomba manual**

1. “HOLD” (Mantener): mantiene la fuerza de tracción en el nivel deseado.
2. “PUMP” (Bomba): llena de aire el cilindro, aumentando la fuerza de tracción.
3. “RELEASE” (Liberar): vacía de aire el cilindro durante o tras el tratamiento y antes del uso.

# Mantenimiento y resolución de problemas

## Mantenimiento

Si el dispositivo Saunders tracción cervical necesita mantenimiento, póngase en contacto con su proveedor de Empi Traction o con Empi (1-800-862-2343, EE.UU.).

## Limpieza

Utilice un detergente o desinfectante suave para limpiar las superficies del dispositivo Saunders tracción cervical. No sumerja la unidad en agua. Si la unidad es utilizada por varios usuarios, debería limpiarse observando las técnicas normales de limpieza y prestando especial atención a los componentes que entran en contacto con el cuerpo. Cada usuario debería utilizar su propio soporte para la cabeza.

## Conservación

Guarde el dispositivo Saunders tracción cervical en su maletín correspondiente.

## Resolución de problemas

El manómetro de Saunders tracción cervical es muy sensible y preciso. La bomba está específicamente diseñada para evitar las fugas en su posición de "HOLD" (Mantener). Si, estando en la posición "HOLD" (Mantener), se producen variaciones en la lectura del manómetro, éstas se deberán probablemente a cualquier pequeño movimiento que haya realizado. En tal caso, vuelva a la posición "PUMP" (Bomba) para restablecer la fuerza deseada. Una vez conseguida, restablezca la unidad en "HOLD" (Mantener).

Para su correcto funcionamiento, el dispositivo Saunders tracción cervical requiere que el sistema de aire no tenga, virtualmente, ninguna fuga. Si no se mantiene la fuerza de tracción, es posible que exista alguna fuga en el sistema.

### ***Preguntas que debe hacerse:***

- ¿Está la bomba en posición "PUMP" (Bomba) cuando bombea?
- ¿Está la bomba en posición "HOLD" (Mantener) cuando se recibe tratamiento?
- ¿Estoy tumbado y quieto? (Cualquier movimiento provocaría fluctuaciones.)
- ¿Bombea lentamente?
- ¿Están las conexiones perfectamente ajustadas (cubierta de la toma de aire y de la lente, conexión perfecta de la toma de aire con el cilindro)?

### **Si la unidad experimenta fugas de aire, intente lo siguiente:**

- Compruebe las conexiones de la toma de aire en el cilindro y la bomba y apriete, según sea necesario. No apriete en exceso, porque podrán dañarse las roscas.
- Asegúrese de que la unidad no se ha desplazado y ha llegado a su máxima extensión (10 cm [4"]).
- Realice una prueba del estallido. Sin ningún usuario en la unidad, bombee la presión hasta que oiga un estallido relativamente fuerte (a alrededor de 22,6 kg [50 libra]); a continuación, gire el manómetro hasta la posición de "RELEASE" (Liberar) y proceda con el tratamiento.

Si tiene alguna duda, llame a su proveedor de Empi Traction autorizado o al Servicio de Atención al Cliente de Empi (1-800-862-2343, para EE.UU.).

## **Accesorios y piezas de repuesto**

A continuación se incluye un listado de accesorios y piezas de repuesto. Llame al 1-800-328-2536 para obtener más detalles e informarse sobre los precios.

<b>DESCRIPCIÓN</b>	<b>NÚMERO DE PIEZA</b>
Soporte para cabeza y almohadillas	700723
Kit de repuesto de bomba manual	700472
Adaptador de ángulo	700724
Maletín de transporte	700725
DVD con instrucciones	802968
Guía del usuario	360365

## **Garantía**

### **I. Garantía**

Empi garantiza el dispositivo Saunders tracción cervical, en mano de obra y materiales, durante el período de un año.

Empi arreglará o sustituirá, en sus instalaciones, cualquier producto defectuoso. Esta garantía no es aplicable a productos dañados por uso incorrecto, o arreglados o alterados por alguien que no sea Empi en sus instalaciones de Clear Lake, Dakota del Sur, EE.UU.

Esta garantía sustituye a cualquier otra garantía, expresa o implícita. Ninguna persona está autorizada a asumir compromisos en nombre de Empi en lo relacionado con la garantía más allá de lo expresado en este documento.

NOTA: el período de garantía es de un año a partir de la fecha de adquisición al fabricante.

### **II. Limitación de responsabilidad y exclusión de garantías**

A. La única obligación de Empi en el caso de incumplimiento de su garantía establecida en el Párrafo I anterior, será, a opción de Empi, arreglar o sustituir el Producto por otro nuevo o acondicionado

en fábrica sin coste alguno para el Comprador, o reembolsar el precio de compra del Producto. Bajo los términos de esta Garantía, y para hacer efectivo este derecho, el Comprador debe enviar una nota escrita a Empi del defecto (con un nivel razonable de detalles) antes de la expiración del período de Garantía y dentro de los 30 días desde la fecha en la que se descubrió el defecto. Cuando Empi lo autorice y lo solicite por escrito, el Comprador devolverá el Producto a Empi, transporte y seguro pagados en origen, para su inspección. El destino de las notificaciones y los envíos será Empi, Clear Lake, 47492, HWY 22 Clear Lake, South Dakota, EE.UU. El Comprador puede solicitar aprobación del envío llamando al número gratuito del Departamento de Reparaciones de Garantía de Empi: 1-800-862-2343. Para arreglos o devoluciones fuera de Norteamérica, consulte a su distribuidor de Empi o directamente a Empi, llamando al teléfono 1-800-328-2536. Empi no se responsabiliza de los daños debidos a un embalaje o transporte inapropiados. Si Empi determina, bajo su única y razonable discreción, que el Producto contiene defectos en mano de obra o materiales, Empi reembolsará al Comprador el precio de la compra del producto defectuoso, le devolverá el producto arreglado o lo cambiará convenientemente al Comprador, con gastos de transporte y seguro a cargo del Comprador, tan pronto como sea posible tras la recepción del producto por parte de Empi. Si Empi determina, bajo su única y razonable discreción, que el producto no contiene defectos en mano de obra o materiales, Empi devolverá el Producto al Comprador, quien también asumirá los costes de transporte y seguro.

B. Esta garantía quedará anulada inmediatamente si el producto ha sido arreglado o modificado por cualquier persona que no sea un empleado o agente autorizado de Empi, o en el caso de uso incorrecto, indebido o negligente, daño durante el transporte, accidente o negligencia.

C. EXCEPTO COMO ESPECIFICA EL PÁRRAFO I, ESTE PRODUCTO SE VENDE "TAL CUAL", TODOS LOS ACCESORIOS SE VENDEN "TAL CUAL", Y LA RESPONSABILIDAD EN LO RELATIVO A LA CALIDAD Y RENDIMIENTO DEL PRODUCTO RECAE EN EL COMPRADOR. LA GARANTÍA ESPECIFICADA EN EL PÁRRAFO I ESTÁ DESTINADA PARA EL BENEFICIO ÚNICAMENTE DEL COMPRADOR INICIAL. EMPI DENIEGA CUALQUIER OTRA GARANTÍA, EXPRESA O IMPLÍCITA, ENTRE ELLAS CUALQUIER TIPO DE GARANTÍA IMPLÍCITA. NO OBSTANTE LO ANTERIOR Y SI SE DETERMINARA LA EXISTENCIA DE UNA GARANTÍA IMPLÍCITA, EL PERÍODO DE CUMPLIMIENTO DE LA GARANTÍA POR EMPI SE LIMITARÁ AL PERÍODO VITAL DEL COMPRADOR INICIAL. NINGÚN EMPLEADO, REPRESENTANTE O AGENTE DE EMPI PUEDE ASUMIR AFIRMACIONES, REPRESENTACIÓN NI GARANTÍAS EN NOMBRE DE EMPI, EXCEPTO LAS ESPECIFICADAS EN ESTA GARANTÍA ESCRITA. (Esta Garantía concede al Comprador derechos legales específicos. El Comprador podría tener, independientemente, otros derechos que no son los mismos en todos los estados. Algunos estados no permiten limitaciones en cuanto al período de vigencia de las garantías implícitas; por lo tanto, la limitación anterior podría no ser aplicable al Comprador.)

D. EMPI NO SERÁ RESPONSABLE DE DAÑOS DIRECTOS, INDIRECTOS, ESPECIALES, INCIDENTALES NI CONSECUENTES, PÉRDIDA DE BENEFICIOS NI GASTOS MÉDICOS CAUSADOS POR DEFECTOS, FUNCIONAMIENTO INCORRECTO, O CUALQUIER OTRA INCIDENCIA DEL PRODUCTO, INDEPENDIENTEMENTE DE CUALQUIER ACCIÓN LEGAL O RECLAMACIÓN QUE SE PUEDA INTERPONER A EMPI (CONTRATO, NEGLIGENCIA O SIMILARES), Y EN ESTE SENTIDO EL REMEDIO ESPECIFICADO EN EL PÁRRAFO I ANTERIOR SERÁ EL ÚNICO REMEDIO DEL COMPRADOR. LA RESPONSABILIDAD DE EMPI NO SUPERARÁ, EN NINGÚN CASO, Y EN LO RELATIVO A CUALQUIER ACCIÓN RELATIVA AL PRODUCTO, EL PRECIO DE COMPRA DEL PRODUCTO.

(La Garantía concede al Comprador derechos legales específicos. El Comprador podría tener, independientemente, otros derechos que no son los mismos en todos los estados. Algunos estados no permiten la exclusión o la limitación de daños consecuenciales o incidentales; por lo tanto, la limitación anterior podría no ser aplicable al Comprador.)





*Saunders*<sup>®</sup>

**Cervical Traction  
(Dispositif de traction cervicale)  
Mode d'emploi**





# Mode d'emploi du Cervical Traction (dispositif de traction cervicale)

## Table des matières

Mises en garde et précautions . . . . .	26
Indications d'utilisation . . . . .	26
Contre-indications d'utilisation . . . . .	26
Avant de commencer . . . . .	27
Composants . . . . .	27
Préparation au traitement . . . . .	28
Application de la traction . . . . .	28-29
Fonctionnement de la pompe à main . . . . .	29-30
Entretien et dépannage . . . . .	31-32
Pièces de rechange et accessoires . . . . .	32
Garantie . . . . .	32-33

---

Félicitations pour votre achat du dispositif de traction cervicale Saunders.

Votre nouveau dispositif de traction est conçu pour vous fournir une traction (un étirement) de la région cervicale (du cou) d'une manière efficace et en toute sécurité. Votre dispositif de traction cervicale Saunders ne nécessite aucun assemblage et est prêt à l'emploi. Si vous avez des questions concernant son utilisation ou si vous voulez nous faire part d'un problème, veuillez contacter votre distributeur Empi traction agréé ou Empi au 1-800-862-2343.

*Veuillez lire toutes ces instructions avant d'utiliser le dispositif.*

Ce dispositif peut contenir un ou tous les symboles suivants :



Uniquement sur prescription



Voir le mode d'emploi



Attention



## Mises en garde et précautions

**MISE EN GARDE :** La vente de ce dispositif est limitée aux médecins et aux personnes mandatées par ceux-ci. Les instructions données par votre professionnel de santé doivent être suivies scrupuleusement. **Ne dépassez pas les recommandations de votre professionnel de santé.** Dépasser ces recommandations peut aggraver votre état ou causer une blessure supplémentaire. Les tractions ne doivent jamais être douloureuses. Une sensation d'étiement ou un léger inconfort peut être ressenti pendant le traitement. Si vous avez plus mal au cou, au dos, au bras, aux jambes, si vous avez des vertiges, la nausée ou si vous ressentez tout autre type de douleur ou d'inconfort pendant ou après le traitement, arrêtez immédiatement la traction et consultez votre professionnel de santé avant de réutiliser le dispositif.

## Indications d'utilisation

Selon les conseils de votre professionnel de santé, la traction cervicale peut être utilisée pour traiter :

- l'ostéo-arthrite
- les maux de tête
- les hernies discales
- les contractions musculaires
- les raideurs d'articulations
- la compression d'une racine nerveuse

## Contre-indications d'utilisation

La traction ne doit pas être utilisée pour traiter :

- les blessures graves ou traumatiques
- l'instabilité rachidienne
- les fractures
- les maladies infectieuses et les inflammations
- tout autre état qui peut empirer avec le mouvement
- la polyarthrite rhumatoïde
- la compression de la moelle épinière
- une malignité

# Avant de commencer

Relisez les conseils de votre professionnel de santé concernant :

- le nombre de tractions recommandé (vous ne devez jamais souffrir)
- la durée de chaque traitement
- les durées d'activité et de repos si des tractions intermittentes sont recommandées
- le nombre de traitements recommandé par semaine ou par jour
- l'angle de traction

Enlevez les boucles d'oreille et autre bijoux ou colliers. Les habits tels que les cravates, les foulards, les chapeaux, les pulls ou les cols de chemise bouffants doivent être enlevés car ils gênent le traitement. Si vous avez les cheveux longs, vous ne devez pas les ramener en tresse ou en chignon à l'arrière de votre tête car celle-ci ne pourra pas rester en position correcte.

## Composants

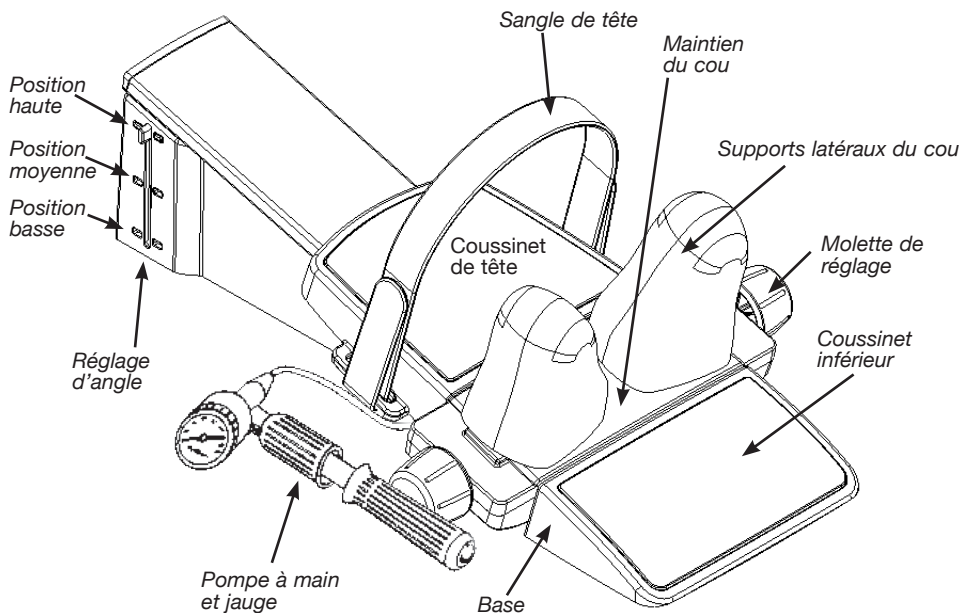


Figure 1. Composants du dispositif de traction cervicale Saunders

## Préparation au traitement

1. Placez le dispositif de traction cervicale Saunders sur un tapis ou toute autre surface dure. Vérifiez que le tuyau d'air n'est pas coincé sous le dispositif. Assurez-vous que vous avez assez de place pour vous allonger dans une position confortable.
2. Séparez les supports latéraux de cou en tournant une des molettes noires de réglage pour que votre cou se place facilement entre les supports. Vous pouvez faire des ajustements supplémentaires une fois allongé dans le dispositif de traction cervicale Saunders. **REMARQUE** : Ne tournez pas exagérément les molettes de réglage. Cela provoquerait la dégradation de l'engrenage intérieur.
3. Desserrez la sangle de tête réglable.
4. Assurez-vous que le dispositif est en position de départ - le maintien du cou doit toucher la base. Si ce n'est pas le cas, tournez le logement de la jauge en position « RELEASE » (RELACHER).
5. Réglez l'angle de traction prescrit par votre professionnel de santé en appuyant sur les languettes et en les faisant glisser des deux côtés du réglage d'angle.

*Positions du réglage d'angle* : Haute = 15 degrés, Moyenne = 20 degrés, Basse = 25 degrés

**REMARQUE** : Si votre professionnel de santé n'a pas spécifié d'angle de traction, laissez le réglage d'angle en position haute comme indiqué (voir la figure 1).

6. Placez la pompe de telle manière que vous puissiez l'atteindre pendant le traitement.
7. Réglez une minuterie pour la durée du traitement (non incluse dans votre dispositif de traction cervicale Saunders).

Vous êtes maintenant prêt à utiliser votre dispositif de traction cervicale Saunders.

## Application de la traction

1. Allongez-vous sur le dos, positionnez votre corps pour que les supports latéraux maintiennent la partie médiane ou la plus fine de votre cou et que votre tête repose confortablement sur le coussinet de tête (voir la figure 2).

Les supports latéraux du cou doivent toucher votre cou à mi-distance entre le bout du lobe de vos oreilles et votre épaule.

2. Tournez une des molettes de réglage jusqu'à ce que les supports latéraux du cou soient calés des deux côtés de votre cou.
3. Quand vous vous installez dans le dispositif de traction cervicale Saunders, les supports latéraux du cou peuvent tourner légèrement et s'ajuster d'eux-mêmes à la forme de votre tête et de votre cou, ou vous pouvez les tourner manuellement pour les placer le plus confortablement possible.
4. Attachez la sangle de tête sur votre front, juste au-dessus des sourcils. Cette sangle doit être bien serrée.
5. Appliquez une traction en utilisant la pompe comme décrit dans la prochaine section.

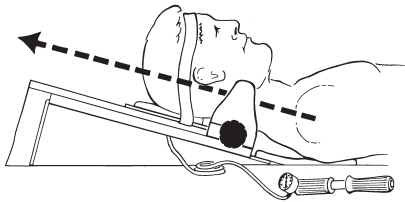
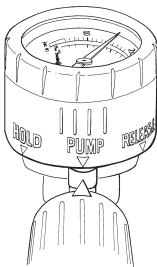


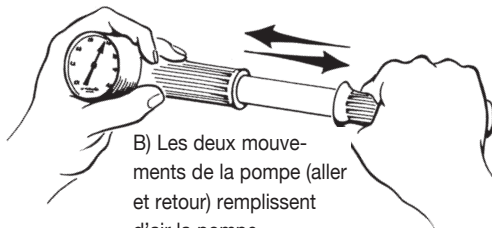
Figure 2. Utilisation du dispositif de traction cervicale Saunders

## Fonctionnement de la pompe à main

Quand vous êtes attaché confortablement dans le dispositif de traction cervicale Saunders, vous allez appliquer une traction en pompant l'air dans le cylindre avec la pompe à main (voir la figure 3).



A) Gros plan du logement de la jauge.



B) Les deux mouvements de la pompe (aller et retour) remplissent d'air la pompe.

Figure 3. Fonctionnement de la pompe à main

Tournez le logement de la jauge de la pompe à main en position « PUMP » (POMPER). Commencez à pomper l'air LENTEMENT dans le cylindre en manipulant la poignée d'un mouvement d'aller-retour complet. Consultez la jauge pour vous assurer que vous respectez les conseils donnés par votre professionnel de santé. Quand vous avez atteint le niveau désiré d'étirement, tournez le logement de la jauge en position « HOLD » (MAINTENIR). Commencez le chronométrage de votre traitement en suivant les instructions de votre professionnel de santé.



**AVERTISSEMENT** : Ne dépassez pas le niveau de traction prescrit par votre professionnel de santé. L'étirement fourni par la traction ne doit jamais causer de douleur. Relaxez-vous... Laissez le dispositif de traction faire son travail.

Quand le traitement est fini, relâchez la traction en tournant le logement de la jauge en position « RELEASE » (RELACHER).



**AVERTISSEMENT** : Ne mettez pas les mains dans l'espace entre la base et le soutien du cou.

Défaites la sangle de tête. Relaxez-vous pendant quelques instants ; puis bougez doucement votre tête de haut en bas et d'un côté et de l'autre avant de vous dégager du dispositif.

**REMARQUE** : Au cours de votre traitement une petite perte de pression (de 10 %) est normale à cause de la relaxation de votre colonne vertébrale. Si cela arrive, ajoutez un peu d'air pour retrouver la force prescrite. Si vous avez mis une traction trop importante, tournez le logement de la jauge en position « RELEASE » (RELACHER) pour laisser sortir un peu d'air.

### **Rappel du fonctionnement de la pompe à main**

1. « HOLD » (MAINTENIR) - maintient la force de traction au niveau désiré.
2. « PUMP » (POMPER) » - remplit le cylindre d'air, augmente la force de traction.
3. « RELEASE » (RELACHER) - vide l'air du cylindre pendant ou après le traitement et avant l'utilisation.



# Entretien et dépannage

## Réparation

Si vous pensez que votre dispositif de traction cervicale Saunders nécessite une réparation, veuillez contacter votre distributeur Empi traction agréé ou Empi au 1-800-862-2343.

## Nettoyage

Toutes les surfaces de votre dispositif de traction cervicale Saunders peuvent être nettoyées avec un désinfectant ou un détergent doux. N'immergez pas le dispositif dans l'eau. Si le dispositif est partagé entre différents utilisateurs, toutes les surfaces doivent être nettoyées d'une manière standard en faisant particulièrement attention aux composants qui sont en contact avec le corps ; nous recommandons d'utiliser une sangle de tête neuve.

## Entreposage

Votre dispositif de traction cervicale Saunders doit être entreposé dans sa valise protectrice.

## Dépannage

Le dispositif de traction cervicale Saunders contient une jauge sensible très précise. La pompe est spécialement conçue pour ne pas fuir en position « HOLD » (MAINTENIR). Si vous remarquez que la jauge baisse en position « HOLD » (MAINTENIR), c'est probablement parce que vous vous êtes relaxé ou que vous avez bougé un peu. Si cela arrive, revenez en position « PUMP » (POMPER) et pompez de nouveau pour arriver à la force désirée, puis remettez sur « HOLD » (MAINTENIR).

Le fonctionnement correct du dispositif de traction cervicale Saunders requiert que le système d'air ne fuie pas. Si la force de traction n'est pas maintenue, il doit y avoir une fuite quelque part dans le système.

### **Questions à se poser :**

- Est-ce que la pompe est en position « PUMP » (POMPER) quand je pompe ?
- Est-ce que la pompe est en position « HOLD » (MAINTENIR) quand je suis traité ?
- Est-ce que je bouge quand je suis allongé ? (Tout mouvement causera des fluctuations).
- Est-ce que je pompe lentement ?
- Est-ce que tous les raccords sont étanches (l'embout du tuyau, l'embout du cadran, le raccord au cylindre est bon ?)

### **S'il y a une fuite d'air :**

- Vérifiez les raccords du tuyau d'air au cylindre et à la pompe à main et resserrez doucement si c'est nécessaire. Ne serrez pas trop car les filetages peuvent se dégrader.
- Assurez-vous que le dispositif n'a pas glissé et n'est pas complètement ouvert (10 cm [4"]).
- Effectuez un test d'éclatement. Pompez, avec l'appareil à vide, jusqu'à ce que vous entendiez un bruit d'éclatement (à environ 22,6 kg [50 livres]) puis mettez la jauge en position « RELEASE » (RELACHER) et effectuez votre traitement.

Si vous avez des questions, veuillez appeler votre distributeur Empi traction agréé ou le service client Empi au 1-800-862-2343

## **Pièces de rechange et accessoires**

Voici une liste des pièces de rechange et des accessoires. Veuillez appeler le 1-800-328-2536 pour les détails et les prix.

<b>DESCRIPTION</b>	<b>REFERENCE</b>
Sangle de tête et coussinets	700723
Kit de remplacement de pompe à main	700472
Réglage d'angle	700724
Valise de transport	700725
DVD didactique	802968
Mode d'emploi	360365

## **Garantie**

### **I. Garantie**

Empi garantit le dispositif de traction cervicale Saunders contre tout défaut de fabrication et de matériau pendant un an.

Empi réparera ou remplacera, dans ses locaux, tout produit défectueux. Cette garantie ne s'applique pas aux produits endommagés par une mauvaise utilisation, réparés ou altérés par toute entreprise autre qu'Empi, Clear Lake, Dakota du Sud.

Cette garantie se substitue à toute autre garantie, expresse ou tacite. Personne n'est autorisé à lier Empi à une garantie autre que celle spécifiquement formulée ici.

REMARQUE : La garantie commence à la date d'achat au fabricant, pour un an.

### **II. Limitation de responsabilités et exclusion de garanties**

A. La seule obligation d'Empi en cas de non-respect de ses garanties formulées au paragraphe I ci-dessus sera de remplacer ou de réparer le produit, au choix d'Empi, avec un produit neuf ou un produit

reconditionné gratuitement pour l'acheteur ou de rembourser le prix d'achat du produit. Pour profiter de cette garantie, l'acheteur doit envoyer à Empi une notification écrite du défaut (formulant le problème suffisamment en détail) avant la date d'expiration de la période de garantie, et au maximum 30 jours après la découverte du défaut. Avec l'autorisation et la requête écrite d'Empi, l'acheteur retournera le produit à Empi, les frais d'envoi et l'assurance payés d'avance, pour une inspection. La notification et l'envoi de retour seront envoyés à Clear Lake, 47492, HWY 22 Clear Lake, Dakota du Sud. L'acheteur peut demander l'approbation d'envoi en appelant le service de réparation et de garantie d'Empi au numéro gratuit 1-800-862-2343. En cas de réparation ou de retour en-dehors des Etats-Unis, veuillez contacter votre distributeur agréé Empi, ou contactez Empi directement au 1-800-328-2536. Empi ne sera pas responsable d'un endommagement dû à un envoi ou un emballage inadéquat. Si Empi détermine à sa seule discrétion que le produit présente un défaut de fabrication ou de matériau, Empi remboursera le prix d'achat à l'acheteur pour le produit défectueux, ou renverra le produit réparé ou un remplacement de celui-ci à l'acheteur, les frais d'envoi et l'assurance facturés à l'acheteur, dans un délai raisonnable suivant la réception du produit par Empi. Si Empi détermine à sa seule discrétion que le produit ne présente pas de défaut de fabrication ou de matériau, Empi renverra le produit à l'acheteur, les frais d'envoi et l'assurance facturés à l'acheteur.

B. Cette garantie s'annule immédiatement pour tout produit qui a été réparé ou modifié par toute personne autre que les employés ou représentants agréés d'Empi ou qui a été sujet à une mauvaise utilisation, un abus, une négligence, un dommage de transport, un accident, un manque d'entretien.

C. SAUF POUR CE QUI EST FORMULE AU PARAGRAPHE I, LE PRODUIT EST VENDU EN L'ETAT, TOUS LES ACCESSOIRES SONT VENDUS EN L'ETAT ET LE RISQUE CONCERNANT LA QUALITE ET LES PERFORMANCES DU PRODUIT RELEVE DE LA RESPONSABILITE DE L'ACHETEUR. LA GARANTIE QUI EST FORMULEE AU PARAGRAPHE I EST PREVUE UNIQUEMENT AU BENEFICE DE L'ACHETEUR INITIAL ET EMPI EXCLUT TOUTE AUTRE GARANTIE, Y COMPRIS EXPRESSE OU TACITE, MAIS SANS SE LIMITER A D'AUTRES GARANTIES IMPLICITES QUELLES QU'ELLES SOIENT, QU'A L'EXCEPTION DE LA PHRASE SUSCITEE AU CAS OU UNE GARANTIE IMPLICITE EXISTE, LA PERIODE D'ACTION D'EMPI PAR LA SUITE SERA LIMITEE AU VIVANT DE L'ACHETEUR INITIAL. AUCUN SALARIE, REPRESENTANT OU AGENT D'EMPI N'A L'AUTORITE D'ENGAGER EMPI DANS UNE AFFIRMATION, REPRESENTATION OU GARANTIE A L'EXCEPTION DE CE QUI EST FORMULE DANS CETTE GARANTIE ECRITE.

(Cette garantie donne à l'acheteur des droits juridiques spécifiques et l'acheteur peut également détenir d'autres droits qui varient d'un état à l'autre. Certains états ne permettent pas de limitation sur la durée d'une garantie tacite, donc la limitation ci-dessus peut ne pas s'appliquer à l'acheteur).

D. EMPI NE SERA RESPONSABLE DEVANT PERSONNE POUR LES DOMMAGES DIRECTS, INDIRECTS, SPECIAUX, ACCESSOIRES, OU IMMATERIELS, POUR LES PROFITS PERDUS OU LES DEPENSES MEDICALES PROVOQUEES PAR UN DEFAULT, UN ECHEC, UN DYSFONCTIONNEMENT OU AUTRE DU PRODUIT, QUELLE QUE SOIT LA FORME SOUS LAQUELLE UNE ACTION JURIDIQUE OU EQUITABLE EST MENEES CONTRE EMPI (PAR EXEMPLE, UN CONTRAT, UNE NEGLIGENCE OU AUTRE) LA REPARATION FORMULEE AU PARAGRAPHE I PLUS HAUT CONSTITUERA LA SEULE REPARATION DE L'ACHETEUR. EN AUCUN CAS LA RESPONSABILITE D'EMPI NE DEPASSERA LE PRIX D'ACHAT DU PRODUIT, QUELLE QUE SOIT LA CAUSE D'ACTION LIEE AU PRODUIT.

(Cette garantie donne à l'acheteur des droits juridiques spécifiques et l'acheteur peut également détenir d'autres droits qui varient d'un état à l'autre. Certains états ne permettent pas de limitation sur la durée d'une garantie tacite, donc la limitation ci-dessus peut ne pas s'appliquer à l'acheteur).



*Saunders*<sup>®</sup>

# Halswirbelsäulen-Traktion Bedienungsanleitung





# Bedienungsanleitung für das Halswirbelsäulen-Traktionsgerät

## Inhaltsverzeichnis

Warnhinweise und Vorsichtsmaßnahmen . . . . .	38
Indikationen . . . . .	38
Kontraindikationen . . . . .	38
Vor der ersten Verwendung . . . . .	39
Komponenten. . . . .	39
Vorbereitung auf die Behandlung. . . . .	40
Traktionsverfahren . . . . .	40-41
Verwendung der Handpumpe . . . . .	41-42
Wartung, Fehlersuche und -behebung. . . . .	43-44
Ersatzteile und Zubehör . . . . .	44
Garantie . . . . .	44-45

---

Wir gratulieren Ihnen zum Erwerb eines Saunders Halswirbelsäulen-Traktionsgeräts.

Ihr neues Traktionsgerät wurde mit dem Ziel konzipiert, eine sichere und wirksame Streckung (Traktion) des Halswirbelbereichs (Nacken) zu ermöglichen. Ihr Saunders Halswirbelsäulen-Traktionsgerät ist bereits vormontiert und direkt einsatzbereit. Bei Fragen zur Verwendung oder zur Meldung von Problemen setzen Sie sich bitte mit Ihrem zuständigen Empi Traction-Händler oder Empi direkt unter 1-800-862-2343 in Verbindung.

*Lesen Sie diese Anleitung sorgfältig durch, bevor Sie fortfahren.*

Dieses Gerät ist ggf. mit einem oder allen der folgenden Symbole gekennzeichnet:



Verschreibungspflichtig



Siehe Bedienungsanleitung



Vorsicht



## **Warnhinweise und Vorsichtsmaßnahmen**

**WARNHINWEIS:** Dieses Gerät darf nur von einem Arzt oder auf Anweisung eines Arztes an Einzelpersonen verkauft werden. Die Anweisungen Ihres Arztes sind genauestens zu befolgen. Setzen Sie sich im Hinblick auf Behandlungsdauer und -intensität nicht über die Empfehlungen Ihres Arztes hinweg. Bei Nichtbeachtung dieser Empfehlungen können sich bestehende Zustände verschlimmern oder weitere Verletzungen entstehen. Traktionsbehandlungen sollten nie schmerzhaft sein. Ggf. ist im Laufe der Behandlung ein Dehnungsgefühl zu spüren bzw. die Behandlung kann als leicht unangenehm empfunden werden. Nimmt der Schmerz in Hals, Rücken, Armen oder Beinen zu oder tritt Schwindelgefühl, Übelkeit oder andere Schmerzen bzw. Unwohlsein während oder nach der Behandlung auf, sollten Sie die Behandlung sofort unterbrechen und ein Arzt aufsuchen, bevor Sie mit der Verwendung fortfahren.

## **Indikationen**

Je nach Anweisung Ihres Arztes können Halswirbelsäulen-Traktionsbehandlungen in den folgenden Fällen eingesetzt werden:

- Osteoarthritis
- Kopfschmerzen
- Bandscheibenvorfall
- Muskelverspannungen
- Gelenkversteifung
- Kompressionen im Bereich der Nervenwurzel

## **Kontraindikationen**

Traktionsbehandlungen sollten in den folgenden Fällen nicht eingesetzt werden:

- akute oder traumatische Verletzungen
- Wirbelsäuleninstabilität
- Bruch
- Infektionen oder Entzündungskrankheiten
- sonstige Krankheiten, die sich durch Bewegungstherapie verschlimmern können
- rheumatoide Arthritis
- Rückenmarkskompressionen
- Malignome



# Vor der ersten Verwendung

Halten Sie sich in Bezug auf Folgendes an die Anweisungen Ihres Arztes:

- empfohlene Traktionsstärke (die Behandlung sollte keine bei Schmerzen verursachen)
- Behandlungsdauer (Zeit) für jede Behandlung
- Halte- und Entspannungszeiten bei empfohlener intermittierender Traktion
- Anzahl der empfohlenen Behandlungen pro Woche oder Tag
- Zugwinkel

Legen Sie Ohringe und allen anderen Schmuck sowie um den Hals getragene Gegenstände ab. Kleidungsstücke wie Krawatten, Schals und Halstücher, Hüte und Mützen sowie größere Hemdkragen oder Pullover sollten ebenfalls abgelegt werden, da sie die Behandlung stören könnten. Wenn Sie lange Haare haben, sollten Sie diese nicht am Hinterkopf zu einem Zopf oder Knoten zusammenfassen, da der Kopf sonst nicht in der richtigen Position abgelegt werden kann.

## Komponenten

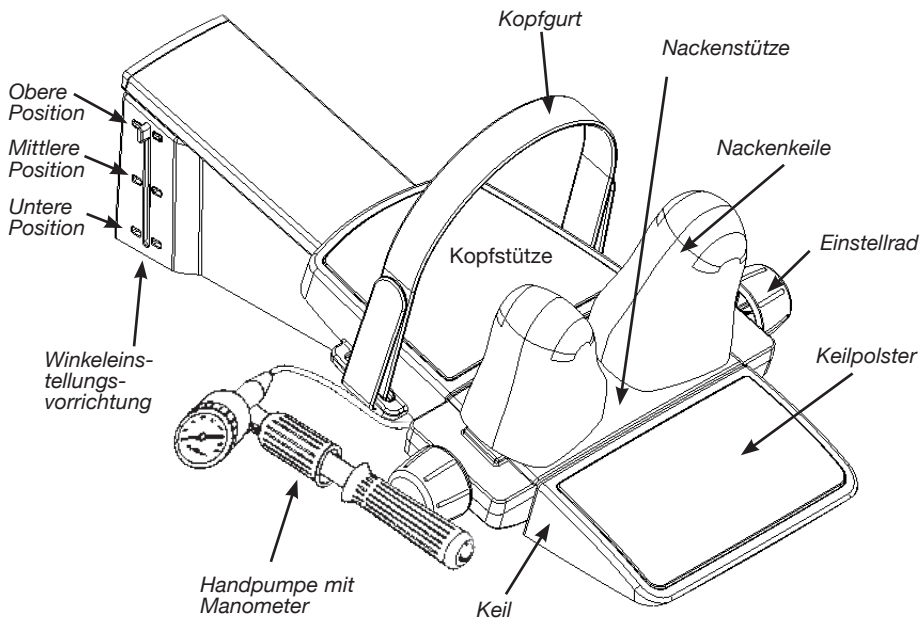


Abbildung 1. Komponenten des Saunders Halswirbelsäulen-Traktionsgeräts

# Vorbereitung auf die Behandlung

1. Stellen Sie das Saunders Halswirbelsäulen-Traktionsgerät auf den Teppichboden oder eine sonstige feste Oberfläche. Achten Sie darauf, dass der Luftschlauch nicht durch den Sockel des Geräts eingequetscht wird. Es sollte ausreichend Platz vorhanden sein, dass Sie sich bequem hinlegen können.
2. Bewegen Sie die Halskeile auseinander, indem Sie an den schwarzen Einstellrädern drehen, damit Ihr Nacken bequem zwischen die Keile passt. Sie können weitere Einstellungen vornehmen, wenn Sie im Saunders Halswirbelsäulen-Traktionsgerät Platz genommen haben. **HINWEIS:** Die Einstellräder dürfen nicht überdreht werden, da dadurch die Innengewinde beschädigt werden.
3. Lösen Sie den verstellbaren Kopfgurt.
4. Achten Sie darauf, dass sich das Gerät in der Ausgangsposition befindet, d. h. die Nackenstütze den Keil berührt. Ist dies nicht der Fall, drehen Sie das Manometergehäuse in die Position „RELEASE“ (FREIGABE).
5. Stellen Sie den Traktionswinkel gemäß den Anweisungen Ihres Arztes ein, indem Sie die Laschen an beiden Seiten der Winkeleinstellungsvorrichtung zusammendrücken und in Position schieben, bis sie einrasten.

*Positionen für die Winkeleinstellung: Oben = 15°, Mitte = 20°, Unten = 25°*

**HINWEIS:** Wenn Ihr Arzt keinen Zugwinkel angegeben hat, lassen Sie die Winkeleinstellungsvorrichtung in der oberen Position (siehe Abbildung 1).

6. Platzieren Sie die Pumpe so, dass Sie sie während der Behandlung erreichen können.
7. Stellen Sie eine Stoppuhr auf die Behandlungszeit ein (nicht im Lieferumfang Ihres Saunders Halswirbelsäulen-Traktionsgeräts enthalten).

Das Saunders Halswirbelsäulen-Traktionsgerät ist nun einsatzbereit.

# Traktionsverfahren

1. Legen Sie sich auf den Rücken und positionieren Sie den Körper so, dass die Nackenkeile den mittleren und schmalsten Abschnitt Ihres Nackens umschließen und Ihr Kopf bequem liegt (siehe Abbildung 2).

Die Nackenkeile sollten Ihren Nacken in der Mitte zwischen Ihren Ohrläppchen und der Oberseite Ihrer Schultern stabilisieren.

2. Drehen Sie an den Einstellrädern, bis die Keile fest an beiden Seiten des Nackens anliegen.
3. Während Sie eine bequeme Position im Saunders Halswirbelsäulen Traktionsgerät einnehmen, drehen sich die Nackenkeile ggf. leicht und passen sich der Kontur Ihres Kopfes und Nackens an. Sie können die Keile auch mit der Hand anpassen, um die bequemste Position für sich einzustellen.
4. Befestigen Sie den Kopfgurt über Ihrer Stirn direkt über den Augenbrauen. Dieser Riemen sollte fest sitzen.
5. Die Traktion wird mithilfe der Pumpe und laut den Anweisungen im nächsten Abschnitt angelegt.

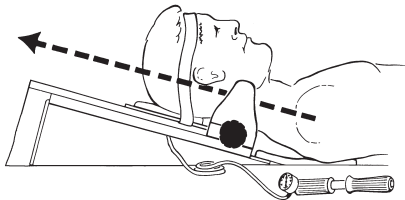
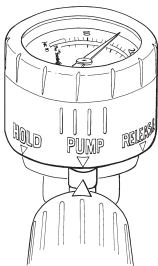


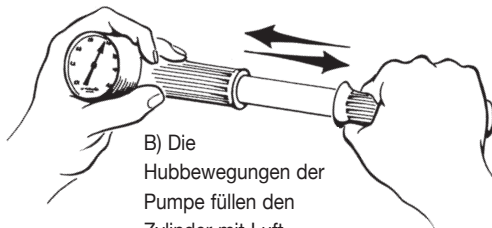
Abbildung 2. Verwendung des Saunders Halswirbelsäulen-Traktionsgeräts

## Verwendung der Handpumpe

Sobald Sie eine sichere und bequeme Lage in Ihrem Saunders Halswirbelsäulen-Traktionsgerät erreicht haben, wird Luft mit der Handpumpe in einen Zylinder gepumpt und die Traktion angelegt (Abbildung 3).



A) Nahaufnahme des Manometer-gehäuses.



B) Die Hubbewegungen der Pumpe füllen den Zylinder mit Luft.

Abbildung 3. Verwendung der Handpumpe

Drehen Sie das Manometergehäuse der Handpumpe in die Position „PUMP“ (PUMPE). Umpfen Sie Luft LANGSAM in den Zylinder, indem Sie den Pumpengriff ganz herausziehen und dann wieder hineindrücken. Beobachten Sie das Manometer, damit sichergestellt ist, dass Sie die von Ihrem Arzt vorgeschriebenen Werte nicht überschreiten. Beginnen Sie mit der Zeitmessung für die Behandlung und folgen Sie den Anweisungen Ihres Arztes.



**VORSICHT:** Die von Ihrem Arzt verordneten Traktionswerte dürfen nicht überschritten werden. Die mit dem Traktionsgerät erzielte Streckung sollte nie schmerzhaft sein. Entspannen Sie sich...und lassen Sie Ihr Traktionsgerät für sich arbeiten.

Nach Abschluss der Behandlung wird die Traktion durch Drehen des Manometergehäuses in die Position „RELEASE“ (FREIGABE) gelöst.



**VORSICHT:** Halten Sie Ihre Finger aus der Spalte zwischen Nackenstütze und Rampe fern.

Lösen Sie den Kopfgurt. Sie sollten sich einige Minuten ausruhen und entspannen. Bewegen Sie Ihren Kopf dann leicht auf und ab und von einer Seite zur anderen, bevor Sie ihn dem Traktionsgerät nehmen.

**HINWEIS:** Im Laufe der Behandlung ist es normal, wenn aufgrund der Entspannung der Wirbelsäule ein leichter Druckverlust (um 10 %) erfolgt. In diesem Fall sollten Sie weitere Luft einpumpen, um die verordnete Kraft wieder aufzubauen. Bei zu starker Traktion drehen Sie das Manometergehäuse in die Position „RELEASE“ (FREIGABE), um Luft aus dem System abzulassen.

### **Überblick über die Verwendung der Handpumpe**

1. „HOLD“ (HALTEN) – Hält die Traktionskraft auf dem gewünschten Wert.
2. „PUMP“ (PUMPEN) – Füllt den Zylinder mit Luft und erhöht so die Traktionskraft.
3. „RELEASE“ (FREIGABE) – Lässt die Luft während oder nach der Behandlung und vor der Verwendung aus dem Zylinder ab.

# Wartung, Fehlersuche und -behebung

## Wartung

Wenn Sie glauben, dass Ihr Saunders Halswirbelsäulen-Traktionsgerät gewartet werden muss, setzen Sie sich mit Ihrem zuständigen Empi Traction-Händler oder Empi direkt unter 1-800-862-2343 in Verbindung.

## Reinigung

Alle Oberflächen des Saunders Halswirbelsäulen-Traktionsgeräts können mit einem milden Reinigungs- oder Desinfektionsmittel gereinigt werden. Das Gerät darf nicht in Wasser eingetaucht werden. Wenn das Gerät bei einem anderen Patienten eingesetzt werden soll, sollten alle Oberflächen mithilfe von standardmäßigen Reinigungstechniken gereinigt werden. Dabei ist besonders auf Komponenten zu achten, die mit dem Körper in Kontakt kommen. Wir empfehlen die Verwendung eines neuen Kopfgurtes.

## Lagerung

Ihr Saunders Halswirbelsäulen-Traktionsgerät sollte in der Tragetasche aufbewahrt werden.

## Fehlersuche und -behebung

Das Saunders Halswirbelsäulen-Traktionsgerät verfügt über ein sehr genaues und empfindliches Manometer. Die Pumpe wurde speziell dafür konzipiert, dass in der Halteposition keine Luft austritt. Wenn der Druck in der Halteposition abfällt, ist die Ursache hierfür möglicherweise, dass Sie sich entspannt oder leicht bewegt haben. Ist dies der Fall, stellen Sie die Pumpe wieder in die Pumpposition zurück und pumpen das Gerät wieder auf, bevor Sie sie wieder auf „HOLD“ (HALTEN) stellen.

Das Luftsystem des Saunders Halswirbelsäulen-Traktionsgeräts muss praktisch leckagefrei sein, um ordnungsgemäß funktionieren zu können. Wenn die Traktionskraft nicht aufrechterhalten werden kann, liegt ggf. an einer Stelle im System eine Leckage vor.

### **Zu prüfende Punkte:**

- Befindet sich die Pumpe beim Pumpen in der Pumpposition?
- Befindet sich die Pumpe während der Behandlung in der Halteposition?
- Liegen Sie still? (Alle Bewegungen führen zu Druckschwankungen.)
- Pumpen Sie langsam?
- Sitzen alle Verbindungen und Anschlüsse fest (d. h. die Verschlüsse am Pumpenschlauch und an der Manometeranzeige und die Verbindung am Zylinder)?

### **Bei Luftleckage gehen Sie wie folgt vor:**

- Prüfen Sie die Anschlüsse des Luftschlauchs am Zylinder und der Pumpe und ziehen Sie sie nach Bedarf fest. Ziehen Sie die Anschlüsse nicht zu fest, um Gewindeschäden zu vermeiden.
- Achten Sie darauf, dass das Gerät nicht verrutscht ist und eine volle Extension eingestellt ist (10 cm [4"]).
- Führen Sie einen einfachen Drucktest durch. Bauen Sie den Druck im leeren Gerät auf, bis das Gerät einen lauten Knall erzeugt (bei etwa 22,6 kg [50 lbs]). Drehen Sie dann das Manometer in die Freigabeposition und fahren Sie mit Ihrer Behandlung fort.

Bei Fragen setzen Sie sich mit Ihrem zuständigen Empi Traction-Händler oder dem Empi-Kundendienst unter 1-800-862-2343 in Verbindung.

## **Ersatzteile und Zubehör**

Es folgt eine Liste der Ersatz- und Zubehörteile. Einzelheiten und Preisinformationen erhalten Sie unter 1-800-328-2536.

### **BESCHREIBUNG**

Kopfgurt und Polster

Handpumpen-Ersatzkit

Winkleinstellvorrichtung

Tragetasche

Schulungs-DVD

Bedienungsanleitung

### **TEILENUMMER**

700723

700472

700724

700725

802968

360365

## **Garantie**

### **I. Garantie**

Empi garantiert für ein Jahr, dass das Saunders Halswirbelsäulen-Traktionsgerät frei von Fehlern in Verarbeitung und Material ist.

Empi repariert oder ersetzt Produkte, die als fehlerhaft befunden werden, in seinem Werk. Diese Garantie gilt nicht für Produkte, die durch Missbrauch beschädigt oder von Unbefugten (d. h. nicht von Empi in Clear Lake, SD [USA]) repariert oder modifiziert wurden.

Diese Garantie ersetzt alle anderen ausdrücklichen und stillschweigenden Garantien und Gewährleistungen. Keine Person ist befugt, Empi an andere als die hier genannten Gewährleistungen dieser Garantie zu binden. HINWEIS: Der einjährige Garantiezeitraum beginnt mit dem Datum des Erwerbs vom Hersteller.

### **II. Haftungsbeschränkung und -ausschluss**

A. Die einzige Verpflichtung seitens Empi im Fall einer Forderung bei Verletzung einer vertraglichen Zusicherung laut Absatz I oben besteht in der Reparatur oder dem Ersatz des Produkts durch ein neues oder

repariertes Produkt durch Empi, ohne dass dem Kunden dafür Kosten entstehen, oder in der Rückerstattung des Kaufpreises des Produkts. Bei Forderungen im Rahmen dieser Garantie muss der Käufer Empi vor Ablauf des Garantiezeitraums und innerhalb von 30 Tagen nach Entdeckung des Fehlers schriftlich über den Fehler in Kenntnis setzen (detaillierte Erläuterung des Problems). Auf die schriftliche Aufforderung und Genehmigung durch Empi sendet der Käufer das Produkt dann frachtfrei und versichert an Empi zur Prüfung. Benachrichtigung und Rücksendung gehen an Empi in Clear Lake unter der Anschrift 47492 HWY 22, Clear Lake, South Dakota (USA). Zur Genehmigung der Sendung kann der Käufer unter 1-800-862-2343 Garantieabteilung von Empi Kontakt aufnehmen. Bei internationalen Reparaturen oder Rücksendungen setzen Sie sich mit Ihrem zuständigen Empi-Vertriebshändler oder Empi direkt unter 1-800-328-2536 in Verbindung. Empi ist nicht verantwortlich für Schäden aufgrund unsachgemäßer Verpackung oder Rücksendung. Wenn Empi nach alleinigem Ermessen feststellt, dass das Produkt Verarbeitungs- oder Materialfehler aufweist, erstattet Empi dem Kunden den vollen Kaufpreis auf das fehlerhafte Produkt oder sendet das reparierte Produkt oder ein Ersatzprodukt so schnell wie möglich nach Erhalt des Produkts durch Empi an den Käufer zurück, der die Kosten für die Fracht und Versicherung trägt. Wenn Empi nach alleinigem Ermessen feststellt, dass das Produkt keine Verarbeitungs- oder Materialfehler aufweist, sendet Empi das Produkt an den Käufer zurück, der die Kosten für die Fracht und Versicherung trägt.

B. Diese Garantie erlischt sofort, wenn das Produkt von Unbefugten, d. h. nicht von autorisierten Mitarbeitern oder Vertretern von Empi, repariert oder modifiziert oder durch falsche Verwendung, Missbrauch, Nachlässigkeit, Versand, Veränderung, Unfall oder Fahrlässigkeit beschädigt wurde.

C. MIT AUSNAHME DER BESTIMMUNGEN LAUT ABSATZ I WERDEN DIESES PRODUKT UND ALLE ZUBEHÖRTEILE OHNE MÄNGELGEWÄHR VERTRIEBEN. DER KÄUFER TRÄGT DAS GESAMTE RISIKO IN BEZUG AUF DIE QUALITÄT UND LEISTUNG DES PRODUKTS. DIE GARANTIEBESTIMMUNGEN LAUT ABSATZ I DIENEN LEDIGLICH DEM ERSTKÄUFER. EMPI LEHNT ALLE ANDEREN GEWÄHRLEISTUNGEN – SOWOHL AUSDRÜCKLICH ALS AUCH STILLSCHWEIGEND – AB. DIES GILT U. A. AUCH FÜR STILLSCHWEIGENDEN GEWÄHRLEISTUNGEN, FÜR DIE, BEI FESTLEGUNG IHRER GÜLTIGKEIT, UNGEACHTET DES VORANGEHENDEN SATZES, DER ZEITRAUM FÜR LEISTUNGSANSPRÜCHE GEGENÜBER EMPI AUF DIE PRODUKTLEBENSZEIT BEIM ERSTKÄUFER BESCHRÄNKT IST. KEIN MITARBEITER ODER VERTRETER VON EMPI IST BEFUGT, EMPI AN EINE ERKLÄRUNG ODER GEWÄHRLEISTUNG ZU BINDEN, ES SEI DENN ES IST IN DIESER SCHRIFTLICHEN GARANTIE ANDERS ANGEGEBEN.

(Mit dieser Garantie erhält der Käufer bestimmte Rechte, und der Käufer hat ggf. weitere Rechte, die sich von Staat zu Staat unterscheiden. In manchen Staaten ist eine Einschränkung des stillschweigenden Garantiezeitraums nicht zulässig, sodass diese Einschränkung nicht für den Käufer gilt.)

D. EMPI HAFTET PERSONEN GEGENÜBER NICHT FÜR DIREKTE, BESONDERE, ZUFÄLLIGE ODER FOLGESCHÄDEN, VERLORENE EINNAHMEN ODER ARZTKOSTEN, DIE DURCH FEHLER, AUSFÄLLE, FEHLFUNKTIONEN ODER ANDERWEITIG DURCH DAS PRODUKT HERVORGERUFEN WURDEN. DABEI SPIELT ES KEINE ROLLE, IN WELCHER FORM RECHTLICHE ODER BILLIGKEITSGERICHTLICHE FORDERUNGEN GEGEN EMPI GEBRACHT WERDEN (D. H. VERTRÄGLICH, AUFGRUND FAHRLÄSSIGKEIT ODER EINEM ANDEREN GRUND), DAS IN ABSATZ I GENANNTRE RECHTSMITTEL IST DAS ALLEINIGE RECHTSMITTEL DES KÄUFERS. IN KEINEM FALL ÜBERTRIFFT DIE HAFTUNG EMPIS FÜR DAS PRODUKT DEN KAUFPREIS DES PRODUKTS.

(Mit dieser Garantie erhält der Käufer bestimmte Rechte, und der Käufer verfügt ggf. weitere Rechte, die sich von Staat zu Staat unterscheiden. In manchen Staaten ist eine Einschränkung bzw. der Ausschluss von zufälligen oder Folgeschäden nicht zulässig, sodass diese Einschränkung nicht für den Käufer gilt.)





*Saunders*<sup>®</sup>

## Trazione cervicale Guida per l'utente





# Guida per l'utente del dispositivo di trazione cervicale

## Sommario

Avvertenze e precauzioni . . . . .	50
Indicazioni per l'uso . . . . .	50
Controindicazioni per l'uso. . . . .	50
Prima di iniziare . . . . .	51
Componenti . . . . .	51
Preparazione al trattamento . . . . .	52
Applicazione della trazione. . . . .	52-53
Funzionamento della pompa a mano. . . . .	53-54
Manutenzione e risoluzione dei problemi. . . . .	55-56
Parti di ricambio e accessori . . . . .	56
Garanzia . . . . .	56-57

---

Congratulazioni per aver acquistato un dispositivo per trazione cervicale Saunders.

Il Suo nuovo dispositivo di trazione è stato studiato per consentire una trazione (allungamento) sicura ed efficace della regione cervicale (collo). Il dispositivo per trazione cervicale Saunders non deve essere montato ed è pronto all'uso appena tolto dall'imballaggio. In caso di domande sull'uso o per comunicare problemi, contattare il rivenditore locale autorizzato di prodotti per trazione Empi o Empi al numero verde negli Stati Uniti 1-800-862-2343.

*Prima di iniziare, leggere attentamente queste istruzioni.*

Sul dispositivo possono essere applicati uno o più dei seguenti simboli:



Esclusivamente su prescrizione



Consultare la guida per l'utente



Attenzione



## **Avvertenze e precauzioni**

**AVVERTENZA:** questo dispositivo deve essere venduto esclusivamente dal medico o su prescrizione medica. Le istruzioni fornite dal medico devono essere seguite con precisione. Non superare la durata e la forza di trazione prescritte dal medico. Se si superano i parametri consigliati, si potrebbe aggravare una condizione preesistente o causare un ulteriore danno. La trazione non deve mai essere dolorosa. Durante il trattamento si può provare una sensazione di trazione o un leggero fastidio. Se durante o dopo il trattamento si dovesse provare dolore al collo, alla schiena, alle braccia o alle gambe o in caso di vertigini, nausea o altro tipo di dolore o fastidio, interrompere immediatamente l'uso e consultare il medico prima di riprendere il trattamento.

## **Indicazioni per l'uso**

In base alla prescrizione del medico, la trazione cervicale può essere usata per trattare le seguenti condizioni:

- osteoartrite
- cefalee
- ernia del disco
- tensione muscolare
- rigidità articolare
- compressione delle radici nervose

## **Controindicazioni per l'uso**

La trazione non deve essere usata per trattare le seguenti condizioni:

- lesioni acute o traumatiche
- instabilità della colonna vertebrale
- fratture
- infezioni e malattie infiammatorie
- altre condizioni che possono essere aggravate dal movimento
- artrite reumatoide
- compressione del midollo spinale
- forme maligne

# Prima di iniziare

Applicare le direttive del medico curante su:

- forza di trazione consigliata (mai fino a provocare dolore);
- durata (tempo di applicazione) di ogni trattamento;
- durata degli intervalli di trazione e riposo, se è stata prescritta una trazione intermittente;
- numero di trattamenti consigliati per settimana o giorno;
- angolo di trazione.

Togliere orecchini e collane. Togliere accessori di abbigliamento come cravatte, scarpe, colletti (grandi) o maglioni che potrebbero interferire con il trattamento. I capelli lunghi non devono essere raccolti o intrecciati sulla nuca per non impedire alla testa di assumere una posizione rilassata.

## Componenti

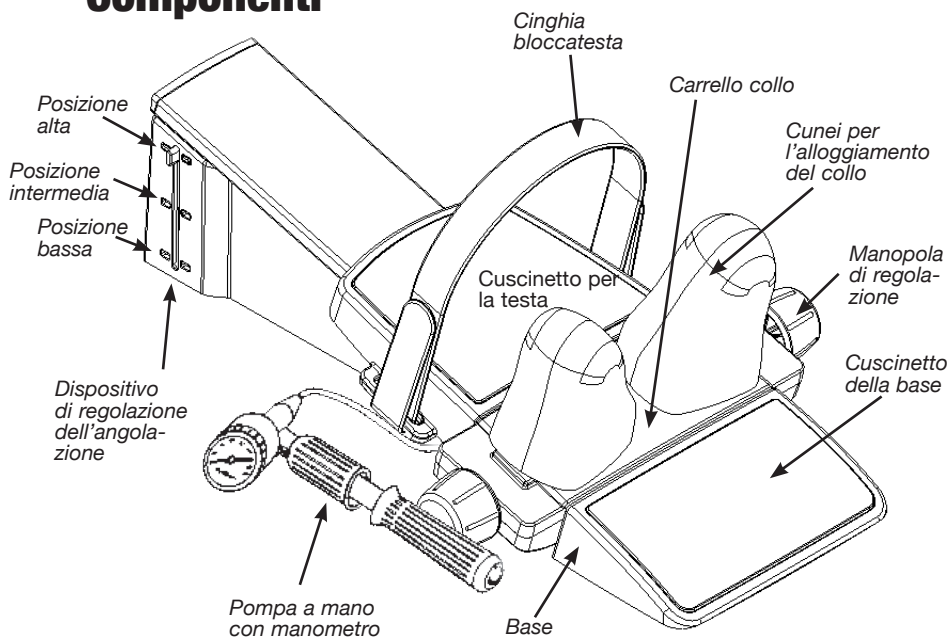


Figura 1. Componenti del dispositivo di trazione cervicale Saunders

## Preparazione al trattamento

1. Posizionare il dispositivo per trazione cervicale Saunders sul pavimento ricoperto da un tappeto o da moquette o su un'altra superficie rigida. Verificare che il tubo flessibile dell'aria non venga schiacciato dalla base dell'unità. Controllare di avere spazio sufficiente per sdraiarsi in posizione comoda.
2. Separare i cunei di alloggiamento del collo, ruotando una delle manopole di regolazione nere in modo che il collo possa alloggiarsi facilmente fra i cunei. Anche dopo essersi sdraiati nel dispositivo di trazione cervicale Saunders possono essere effettuate ancora regolazioni. **NOTA:** non ruotare troppo le manopole di regolazione, per evitare di danneggiare l'ingranaggio interno.
3. Allentare la cinghia bloccatesta regolabile.
4. Controllare che il dispositivo si trovi in posizione di partenza - il carrello per il collo deve toccare la base. In caso contrario, ruotare l'involucro del manometro in posizione "RELEASE" (rilascio).
5. Impostare l'angolo di trazione prescritto dal medico, comprimendo e facendo scorrere le linguette sui due lati del dispositivo di regolazione dell'angolazione fino a che si blocca in posizione.

*Posizioni del dispositivo di regolazione dell'angolazione: Alta = 15 gradi, Intermedia = 20 gradi, Bassa = 25 gradi*

**NOTA:** se il medico non avesse specificato l'angolazione, lasciare il dispositivo di regolazione dell'angolazione nella posizione alta (Figura 1).

6. Posizionare la pompa in modo che possa essere raggiunta facilmente durante il trattamento.
7. Impostare la durata del trattamento su un cronometro (non incluso nella fornitura del dispositivo di trazione cervicale Saunders).

Si può ora iniziare a usare il dispositivo di trazione cervicale Saunders.

## Applicazione della trazione

1. Stando sdraiati sulla schiena, assumere una posizione che consenta ai cunei di alloggiamento del collo di abbracciare la parte più sottile del collo e alla testa di appoggiarsi in modo comodo sul cuscinetto per la testa

(vedi Figura 2). I cunei per l'alloggiamento del collo devono toccare il collo a metà strada fra i lobi delle orecchie e la parte superiore delle spalle.

2. Ruotare una delle manopole di regolazione fino a che i cunei aderiscono fermamente ai due lati del collo.
3. Durante il posizionamento nel dispositivo di trazione cervicale, i cunei per il collo possono ruotare leggermente per autoadattarsi alla conformazione della testa e del collo o possono essere ruotati manualmente per ottenere una posizione più comoda.
4. Fissare la cinghia bloccatesta sulla fronte e regolarla al di sopra delle sopracciglia. La cinghia deve essere aderente.
5. Applicare la trazione usando la pompa come descritto nella sezione successiva.

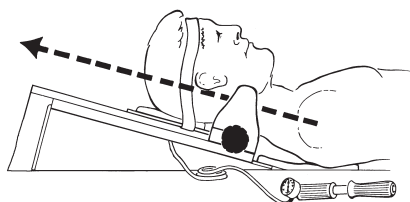
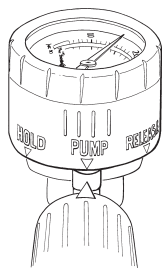


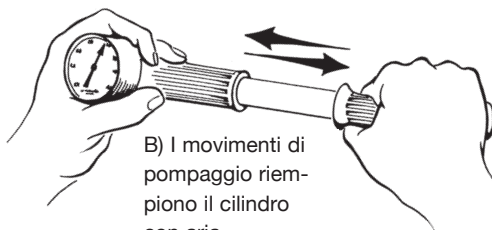
Figura 2. Uso del dispositivo di trazione cervicale Saunders

## Funzionamento della pompa a mano

Dopo aver preso confidenza con il dispositivo di trazione cervicale Saunders e assunto una posizione comoda, si può iniziare ad applicare la trazione, pompando aria in un cilindro mediante una pompa a mano (Figura 3).



A) Dettaglio dell'involucro del manometro.



B) I movimenti di pompaggio riempiono il cilindro con aria.

Figura 3. Funzionamento della pompa a mano

Ruotare l'involucro del manometro della pompa a mano in posizione "PUMP" (pompaggio). Iniziare a pompare LENTAMENTE aria nel cilindro, tirando completamente in fuori e spingendo completamente in dentro l'impugnatura della pompa. Controllare il manometro per garantire che i valori siano quelli prescritti dal medico. Quando è stato raggiunto il valore di trazione desiderato, ruotare l'involucro del manometro in posizione "HOLD" (bloccare). Iniziare ora a cronometrare il trattamento, seguendo le istruzioni del medico.



**ATTENZIONE:** non superare il livello di trazione prescritto dal medico. La trazione non deve mai essere dolorosa. Rilassarsi . . . e lasciare agire il dispositivo di trazione.

Al termine del trattamento, rilasciare la trazione, ruotando l'involucro del manometro in posizione "RELEASE" (rilascio).



**ATTENZIONE:** tenere lontane le dita dalla fessura fra il carrello del collo e la base.

Togliere la cinghia bloccatesta. Stare sdraiati e rilassarsi per qualche minuto, poi muovere lentamente la testa su e giù e da lato a lato per alcune volte prima di alzarsi dal dispositivo di trazione.

**NOTA:** nel corso del trattamento una piccola perdita di pressione è normale (ca. 10%) a causa del rilassamento della colonna vertebrale. In tal caso, aggiungere aria per ricreare il valore desiderato. In caso di trazione eccessiva, ruotare l'involucro del manometro in posizione "RELEASE" (rilascio) per far fuoriuscire aria dal sistema.

### **Riassunto del funzionamento della pompa a mano**

1. "HOLD" (bloccare) - per mantenere la forza di trazione al livello desiderato.
2. "PUMP" (pompaggio) - per riempire il cilindro con aria e aumentare la forza di trazione.
3. "RELEASE" (rilascio) - per eliminare l'aria dal cilindro durante o dopo il trattamento e prima dell'uso.



# Manutenzione e risoluzione dei problemi

## Manutenzione

Se si pensa che il dispositivo di trazione cervicale Saunders debba essere sottoposto a manutenzione, contattare il rivenditore locale autorizzato di prodotti per trazione Empi o Empi al numero verde negli Stati Uniti 1-800-862-2343.

## Pulizia

Tutte le superfici del dispositivo di trazione cervicale Saunders possono essere pulite con un detergente o un disinfettante delicato. Non immergere l'unità in acqua. Se l'unità viene trasferita ad un altro utente, è necessario pulire tutte le superfici usando una tecnica di pulizia standard, facendo particolare attenzione ai componenti a contatto con il corpo; consigliamo, inoltre, di usare una nuova cinghia bloccatesta.

## Conservazione

Il dispositivo di trazione cervicale Saunders deve essere conservato nella custodia di protezione.

## Risoluzione dei problemi

Il dispositivo di trazione cervicale Saunders include un manometro molto preciso e sensibile. La pompa è stata studiata specificatamente per non perdere quando è in posizione "HOLD" (bloccare). Un calo del valore della lettura del manometro in posizione "HOLD" (bloccare) può essere attribuito a rilassamento o a piccoli movimenti del corpo. In tal caso ritornare alla posizione "PUMP" (pompaggio) e riportare il valore alla forza desiderata, portando poi la pompa in posizione "HOLD" (bloccare).

Un funzionamento corretto del dispositivo di trazione cervicale Saunders richiede un sistema dell'aria virtualmente senza perdite. Se la forza di trazione non viene mantenuta, può esserci una perdita nel sistema.

### *Punti da verificare:*

- La pompa si trova in posizione "PUMP" (pompaggio) durante il pompaggio?
- La pompa si trova in posizione "HOLD" (bloccare) durante il trattamento?
- Il corpo è immobile? (I movimenti causano fluttuazioni.)
- Si sta pompando lentamente?
- Tutti i collegamenti sono serrati (p.es. tappo tubo flessibile, tappo lente, tubo flessibile collegato correttamente al cilindro)?

### **Se l'unità perde aria, procedere come segue:**

- Controllare i collegamenti del tubo dell'aria del cilindro e della pompa, se necessario, serrare con cautela. Non serrare eccessivamente per non danneggiare le filettature.
- Verificare che l'unità non sia scivolata e non abbia raggiunto l'escursione completa (10 cm [4"]).
- Eseguire un POP test. A unità vuota, pompare la pressione fino a che l'unità emette un "pop" ben udibile (a ca. 22,6 kg [50 libra]), poi ruotare il manometro in posizione di rilascio e procedere con il trattamento.

In caso di domande, telefonare al rivenditore locale autorizzato di prodotti per trazione Empi o al servizio assistenza Empi al numero verde negli Stati Uniti 1-800-862-2343.

## **Parti di ricambio e accessori**

Segue un elenco delle parti di ricambio e degli accessori. Chiamare il numero 1-800-328-2536 per dettagli e prezzi.

<b>DESCRIZIONE</b>	<b>NUMERO PARTE</b>
Cinghia bloccatesta e cuscinetti	700723
Kit di ricambio pompa a mano	700472
Dispositivo di regolazione dell'angolazione	700724
Custodia per il trasporto	700725
DVD di istruzioni	802968
Guida per l'utente	360365

## **Garanzia**

### **I. Garanzia**

Empi concede la garanzia di un anno su difetti di manodopera e materiali del dispositivo di trazione cervicale Saunders.

Empi, a proprio insindacabile giudizio, riparerà o sostituirà ogni prodotto determinato come difettoso. La presente garanzia non si applica a prodotti danneggiati a causa di uso non conforme o riparati o alterati da persone diverse dal personale di Empi di Clear Lake, South Dakota (USA).

La presente garanzia si applica in sostituzione di qualsivoglia garanzia espressa o implicita. Nessuna persona è autorizzata a concedere a nome di Empi qualsivoglia garanzia diversa da quella specificata qui sopra.

NOTA: il periodo di garanzia inizia dalla data di acquisto presso il produttore e ha la validità di un anno.

### **II. Limiti della responsabilità ed esonero dalla garanzia**

A. L'unico obbligo di Empi in caso di lesione delle garanzie indicate al paragrafo I, sarà, a insindacabile giudizio di Empi, la riparazione o la sostituzione del prodotto con uno nuovo o con un prodotto

rigenerato, senza alcun costo per il cliente o il rimborso del prezzo di acquisto del prodotto. Per poter usufruire della garanzia, il cliente dovrà inviare a Empi una comunicazione scritta del difetto (indicando il problema con i dettagli necessari) prima della scadenza del periodo di garanzia ed entro 30 giorni dalla scoperta del difetto. Dopo richiesta e autorizzazione scritta di Empi, il cliente potrà inviare il prodotto a Empi per il controllo, con spedizione prepagata e assicurata. Le comunicazioni e le spedizioni dovranno essere inviate a Empi - Clear Lake, 47492, HWY 22 Clear Lake, South Dakota (USA). Il cliente potrà richiedere l'autorizzazione alla spedizione telefonando al reparto garanzia e riparazioni di Empi al numero verde negli Stati Uniti 1-800-862-2343. Per riparazioni o resi al di fuori del Nordamerica, contattare il distributore locale autorizzato da Empi o Empi direttamente al numero 1-800-328-2536. Empi non assume alcuna responsabilità per danni causati da un imballaggio o da una spedizione non corretta. Qualora Empi, a proprio insindacabile giudizio, dovesse determinare che il prodotto contiene difetti di manodopera o materiale, rimborserà al cliente il prezzo di acquisto del prodotto difettoso o invierà al cliente il prodotto riparato o uno sostitutivo, con spedizione e assicurazione a carico del cliente, non appena possibile. Qualora Empi, a proprio insindacabile giudizio, dovesse determinare che il prodotto non contiene difetti di manodopera o materiale, rispedirà il prodotto al cliente, con spedizione e assicurazione a carico del cliente.

B. La presente garanzia diventerà immediatamente nulla in caso di riparazione o modifica del prodotto eseguita da persona diversa dal personale autorizzato o da agenti di Empi o in caso di uso non conforme, abuso, trascuratezza, danno durante il trasporto, incidente o negligenza.

C. ECCETTO CHE PER QUANTO DISPOSTO AL PARAGRAFO I, IL PRODOTTO E TUTTI GLI ACCESSORI SONO VENDUTI "COSÌ COME SONO" E IL RISCHIO RELATIVO A QUALITÀ E PRESTAZIONI DEL PRODOTTO SONO AD ESCLUSIVO CARICO DEL CLIENTE. LA GARANZIA INDICATA AL PARAGRAFO I SI APPLICA ESCLUSIVAMENTE AL CLIENTE INIZIALE ED EMPI RIFIUTA QUALSIVOGLIA ULTERIORE GARANZIA, ESPRESSA O IMPLICITA, COMPRESA, MA NON SOLO, OGNI GARANZIA IMPLICITA, TUTTAVIA, SE NONOSTANTE LA FRASE PRECEDENTE, DOVESSE ESSERE DETERMINATA LA SUSSISTENZA DI UNA GARANZIA IMPLICITA, IL PERIODO DELLE PRESTAZIONI DI EMPI IN MERITO, SI LIMITERÀ ALLA DURATA UTILE DEL PRODOTTO PRESSO IL CLIENTE INIZIALE. NESSUN DIPENDENTE, RAPPRESENTANTE O AGENTE DI EMPI HA L'AUTORITÀ NECESSARIA PER FARE QUALSIVOGLIA AFFERMAZIONE, RAPPRESENTAZIONE O CONCEDERE QUALSIVOGLIA GARANZIA A NOME DI EMPI, DIVERGENTE DA QUANTO INDICATO NELLA GARANZIA SCRITTA. (La presente garanzia concede al cliente diritti legali specifici. Il cliente potrebbe, inoltre, avere altri diritti che possono variare da stato a stato o da paese a paese. Alcuni stati o paesi non ammettono la limitazione della durata della garanzia implicita, pertanto detta limitazione potrebbe non essere applicabile al cliente).

D. EMPI NON POTRÀ ESSERE RITENUTA RESPONSABILE PER DANNI DIRETTI, INDIRETTI, SPECIALI, INCIDENTALI O CONSEGUENZIALI, PERDITE DI PROFITTO O SPESE MEDICHE CAUSATE DA DIFETTI, ERRORI, MALFUNZIONAMENTI O ALTRO DEL PRODOTTO, E INDIPENDENTEMENTE DALLA FORMA IN CUI L'EVENTUALE AZIONE LEGALE O DI GIUSTA RIPARAZIONE VENGA PROPOSTA CONTRO EMPI (P. ES. CONTRATTO, NEGLIGENZA O ALTRO), L'UNICO RISARCIMENTO PER IL CLIENTE SARÀ QUELLO CONTEMPLATO DAL PARAGRAFO I. IN NESSUN CASO LA RESPONSABILITÀ DI EMPI, PER QUALSIVOGLIA CAUSA DERIVANTE DAL PRODOTTO, POTRÀ SUPERARE IL PREZZO DI ACQUISTO DEL PRODOTTO.

(La presente garanzia concede al cliente diritti legali specifici. Il cliente potrebbe, inoltre, avere altri diritti che possono variare da stato a stato o da paese a paese. Alcuni stati o paesi non ammettono l'esclusione o la limitazione dei danni incidentali o consequenziali, pertanto detta limitazione potrebbe non essere applicabile al cliente.)



*Saunders*<sup>®</sup>

## Guia do Utilizador do Aparelho de Tracção Cervical





# Guia do Utilizador do Aparelho de Tracção Cervical

## Índice

Advertências e Precauções . . . . .	62
Indicações de Utilização . . . . .	62
Contra-indicações de Utilização . . . . .	62
Antes de Iniciar a Utilização . . . . .	63
Componentes . . . . .	63
Preparação para Tratamento . . . . .	64
Aplicação de Tracção . . . . .	64-65
Funcionamento da Bomba Manual . . . . .	65-66
Manutenção e Resolução de Problemas . . . . .	67-68
Peças de Substituição e Acessórios . . . . .	68
Garantia . . . . .	68-69

---

Parabéns por ter adquirido um aparelho de Tracção Cervical Saunders.

O seu novo aparelho de tracção foi concebido para proporcionar uma tracção (alongamento) segura e eficaz na região cervical (pescoço). O seu aparelho de Tracção Cervical Saunders não requer qualquer tipo de montagem e está pronto a usar logo que o retire da embalagem. Se necessitar de esclarecimentos sobre a sua utilização ou desejar comunicar qualquer problema, contacte o representante autorizado da Empi Traction ou a Empi através do número 1-800-862-2343.

*Leia estas instruções na íntegra antes de prosseguir.*

Este aparelho pode conter um ou vários dos símbolos seguintes:



Apenas por Receita Médica



Consulte o Guia do Utilizador



Cuidado



## **Advertências e Precauções**

**ADVERTÊNCIA:** A venda deste aparelho é limitada a indivíduos que apresentem uma receita médica. As instruções fornecidas pelo seu profissional de cuidados de saúde devem ser rigorosamente cumpridas. Não exceda as recomendações fornecidas pelo seu profissional de cuidados de saúde. Exceder estas recomendações pode resultar no agravamento da condição existente ou causar lesões adicionais. A tracção nunca deve causar dor. Durante o tratamento, pode sentir uma sensação de alongamento ou um desconforto ligeiro. Se a dor aumentar no pescoço, nas costas, nos braços ou nas pernas, ou se sentir tonturas, náusea ou qualquer outro tipo de dor ou de desconforto durante ou após o tratamento, suspenda imediatamente o tratamento e consulte o seu profissional de cuidados de saúde antes de voltar a usar o aparelho.

## **Indicações de Utilização**

Dependendo dos conselhos dados pelo seu profissional de cuidados de saúde, a tracção cervical pode ser usada para tratar as seguintes condições:

- osteoartrite
- retesamento muscular
- cefaleias
- rigidez articular
- discos herniados
- compressão da raiz do nervo

## **Contra-indicações de Utilização**

A tracção não deve ser usada para tratar as condições seguintes:

- lesão aguda ou traumática
- artrite reumatóide
- instabilidade vertebral
- compressão da medula espinhal
- fractura
- malignidade
- infecções e doenças inflamatórias
- qualquer outra condição que se possa agravar através de movimento



# Antes de Iniciar a Utilização

Leia as instruções fornecidas pelo seu profissional de cuidados de saúde no que respeita a:

- valor de tracção recomendado (nunca em excesso, a ponto de causar dor)
- duração (período de tempo) de cada tratamento
- períodos de relaxamento e de sustentação se for recomendada uma tracção intermitente
- número de tratamentos recomendados por semana ou por dia
- ângulo de tracção

Retire brincos e outras peças de joalheria ou lenços, écharpes, etc. Peças de vestuário como gravatas, cachecóis, chapéus e as camisas ou camisolas com colarinhos volumosos devem igualmente ser removidas, pois podem interferir com o tratamento. Se tiver cabelo comprido, não o prenda na parte de trás da cabeça, como numa trança ou coque, pois isto não permitirá que a cabeça repouse na posição correcta.

## Componentes

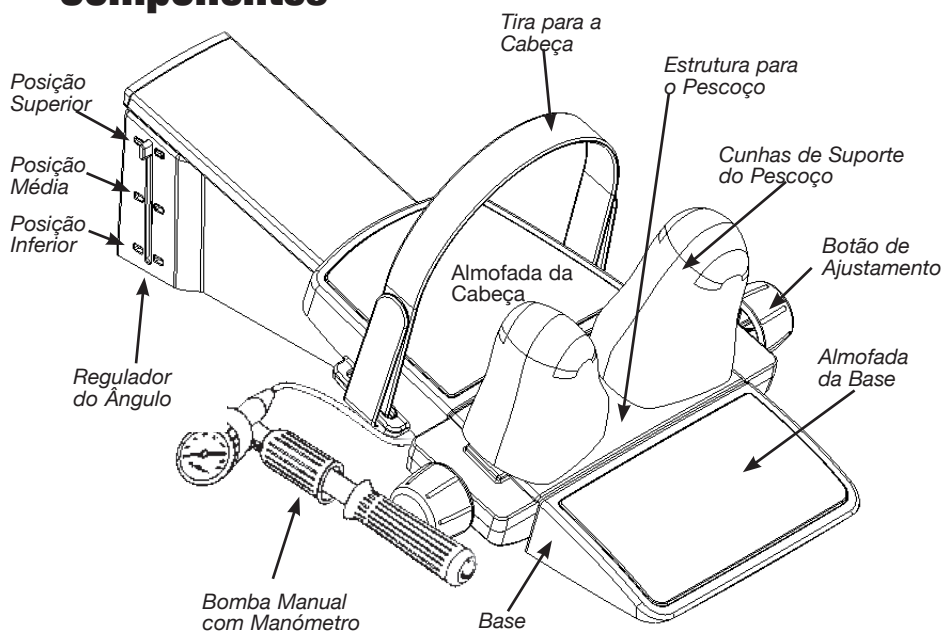


Figura 1. Componentes do aparelho de Tracção Cervical Saunders

## Preparação para Tratamento

1. Coloque o aparelho de Tracção Cervical Saunders sobre chão alcatifado ou outra superfície firme. Certifique-se de que a mangueira não está comprimida na parte de baixo da unidade. Assegure-se de que dispõe de espaço suficiente para se deitar numa posição confortável.
2. Separe as cunhas de suporte do pescoço rodando qualquer um dos botões de ajustamento pretos para que o pescoço assente facilmente entre as cunhas de suporte. Pode efectuar mais ajustamentos depois de estar deitado no aparelho de Tracção Cervical Saunders. **NOTA:** Não rode demasiado os botões de ajustamento. Isto resultará no desgaste da engrenagem interna.
3. Solte a tira ajustável para a cabeça.
4. Assegure-se de que o aparelho se encontra na posição inicial - a estrutura para o pescoço deve estar em contacto com a base. Caso contrário, rode o invólucro do manómetro para a posição "RELEASE" (LIBERTAR).
5. Regule o ângulo de tracção prescrito pelo seu profissional de cuidados de saúde ao comprimir e fazer deslizar as abas em ambos os lados do Regulador do Ângulo até que este fique bloqueado em posição.

*Posições do Regulador do Ângulo:* superior = 15 graus, média = 20 graus, inferior = 25 graus

**NOTA:** Se o seu profissional de cuidados de saúde não especificar o ângulo de tracção, deixe o Regulador do Ângulo na posição superior, conforme mostrado (na figura 1).

6. Coloque a bomba perto de si, de modo que possa accioná-la durante o tratamento.
7. Acerte um cronómetro com o período de duração do tratamento (não fornecido com o aparelho de Tracção Cervical Saunders).

Agora está pronto a usar o aparelho de Tracção Cervical Saunders.

## Aplicação de Tracção

1. Deite-se de costas, posicionando o corpo de modo que as cunhas de suporte do pescoço apoiem a parte central ou a mais estreita do pescoço e a cabeça fique pousada confortavelmente na almofada da cabeça

(veja a figura 2). As cunhas de suporte do pescoço devem estar em contacto com o pescoço a meia distância entre as pontas dos lóbulos das orelhas e a parte superior dos ombros.

2. Rode um dos botões de ajustamento até que as cunhas de suporte se encostem firmemente a ambos os lados do pescoço.
3. À medida que se acomoda no aparelho de Tracção Cervical Saunders, as cunhas de suporte do pescoço podem rodar ligeiramente e ajustar-se automaticamente à fisionomia da cabeça e do pescoço. Também pode rodar as cunhas de suporte manualmente, conforme necessário, para estabelecer o ajuste mais cómodo.
4. Prenda a tira para a cabeça sobre a testa, imediatamente acima da linha das sobrancelhas. Esta tira deve assentar confortavelmente.
5. Aplique tracção usando a bomba conforme descrito na secção seguinte.

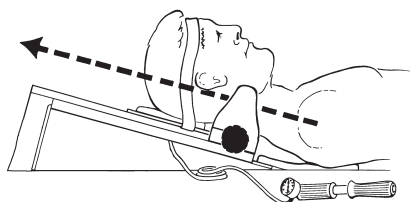
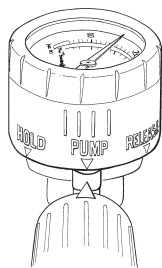


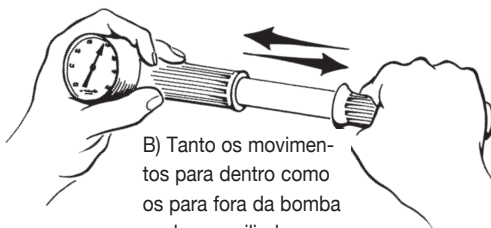
Figura 2. Utilização do aparelho de Tracção Cervical Saunders

## Funcionamento da Bomba Manual

Quando se encontrar em posição segura e confortável no aparelho de Tracção Cervical Saunders, a tracção será aplicada ao bombear ar para dentro de um cilindro com uma bomba manual (figura 3).



A) Vista de perto do invólucro do manómetro.



B) Tanto os movimentos para dentro como os para fora da bomba enchem o cilindro de ar.

Figura 3. Funcionamento da bomba manual

Rode o invólucro do manómetro da bomba manual para a posição “PUMP” (BOMBEAR). Comece a bombear ar LENTAMENTE para dentro do cilindro ao accionar o manípulo da bomba totalmente para fora e para dentro. Observe o manómetro para se assegurar de que cumpre as instruções fornecidas pelo seu profissional de cuidados de saúde. Quando atingir o valor de alongamento pretendido, rode o invólucro do manómetro colocando-o na posição “HOLD” (MANTER). Comece agora a cronometrar o seu tratamento, seguindo as instruções fornecidas pelo seu profissional de cuidados de saúde.



**CUIDADO:** Não exceda o nível de tracção prescrito pelo seu profissional de cuidados de saúde. O alongamento resultante da tracção nunca deve causar dor. Relaxe . . . deixe que o seu aparelho de tracção faça o trabalho.

Quando terminar o tratamento, liberte a tracção ao rodar o invólucro do manómetro para a posição “RELEASE” (LIBERTAR).



**CUIDADO:** Mantenha os dedos afastados da folga entre a estrutura para o pescoço e a base.

Solte a tira para a cabeça. Deve repousar e relaxar durante uns minutos; em seguida, mova a cabeça ligeiramente para cima e para baixo e de lado a lado antes de sair do aparelho de tracção.

**NOTA:** Durante o tratamento, é normal a ocorrência de uma pequena perda de pressão (em 10%) devido ao relaxamento da coluna. À medida que isto ocorre, adicione mais ar para regressar à força aconselhada. Se aumentar a tracção em excesso, rode o invólucro do manómetro para a posição “RELEASE” (LIBERTAR) para deixar sair alguma quantidade de ar do sistema.

### Revisão do Funcionamento da Bomba Manual

1. “HOLD” (MANTER) - mantém a força de tracção no nível desejado.
2. “PUMP” (BOMBEAR) - enche o cilindro de ar, aumentando a força de tracção.
3. “RELEASE” (LIBERTAR) - esvazia o ar do cilindro durante ou após o tratamento e antes de utilizar.

# Manutenção e Resolução de Problemas

## Manutenção

Se achar que o seu aparelho de Tracção Cervical Saunders requer manutenção, contacte o seu representante autorizado Empi Traction ou contacte a Empi através do número 1-800-862-2343.

## Limpeza

Todas as superfícies do aparelho de Tracção Cervical Saunders podem ser limpas usando um desinfetante ou um detergente suave. Não mergulhe a unidade em água. Se a unidade for usada por vários utilizadores, limpe todas as superfícies usando técnicas de limpeza convencionais, prestando especial atenção aos componentes que entram em contacto com o corpo; recomendamos usar uma tira para a cabeça nova.

## Armazenamento

O aparelho de Tracção Cervical Saunders deve ser armazenado na respectiva mala de protecção.

## Resolução de Problemas

O aparelho de Tracção Cervical Saunders possui um manómetro muito exacto e sensível. A bomba foi especialmente concebida para que não ocorram fugas quando na posição “HOLD” (MANTER). Se observar uma descida do valor indicado no manómetro quando está na posição “HOLD” tal deve-se possivelmente ao facto de ter relaxado ou de se ter movido ligeiramente. Se tal ocorrer, regresse à posição “PUMP” (BOMBPEAR), bombeie de novo até obter a força pretendida e, em seguida, volte a colocar na posição “HOLD.”

Para que o aparelho de Tracção Cervical Saunders funcione correctamente, é necessário que o sistema de ar não tenha fugas. Se a força de tracção não for mantida, pode haver uma fuga em qualquer parte do sistema.

### ***Perguntas a Fazer:***

- A bomba está na posição “PUMP” (BOMBPEAR) quando bombeia?
- A bomba está na posição “HOLD” (MANTER) quando está a receber tratamento?
- Está deitado sem se mexer? (Qualquer movimento causará flutuação.)
- Está a bombear lentamente?
- Todas as ligações estão bem apertadas? (Por exemplo, tampa da mangueira, protecção da lente, ligação apropriada da mangueira ao cilindro.)

### **Se a unidade apresentar uma fuga de ar, tente o seguinte:**

- Verifique as ligações da mangueira de ar no cilindro e na bomba e, se necessário, aperte cuidadosamente. Não aperte demasiado, pois as roscas podem ficar moídas.
- Certifique-se de que a unidade não se deslocou, tendo-se percorrido o curso total (10 cm [4"]).
- Efectue um teste POP (estalido). Sem ninguém na unidade, bombeie para aumentar a pressão até que a unidade emita um estalido alto (a cerca de 22,6 kg [50 lbs]) e, em seguida, rode o manómetro para a posição de libertação e continue com o seu tratamento.

Se necessitar de algum esclarecimento, contacte o seu representante autorizado da Empi Traction ou contacte o Serviço de Assistência ao Cliente da Empi através do número 1-800-862-2343.

## **Peças de Substituição e Acessórios**

Abaixo encontrará uma lista de peças de substituição e de acessórios. Ligue para o número 1-800-328-2536 para obter mais informações e preços.

<b>DESCRIÇÃO</b>	<b>NÚMERO DA PEÇA</b>
Tira para a cabeça e almofadas	700723
Kit de substituição da bomba manual	700472
Regulador do Ângulo	700724
Mala de Transporte	700725
DVD de instruções	802968
Guia do Utilizador	360365

## **Garantia**

### **I. Garantia**

A Empi garante que o aparelho de Tracção Cervical Saunders está isento de defeitos de material e de fabrico por um período de um ano.

A Empi reparará ou substituirá, nas suas instalações, qualquer produto determinado como defeituoso. Esta garantia não se aplica a qualquer produto danificado devido a utilização inadequada ou que tenha sido reparado ou alterado por qualquer pessoa que não seja a Empi de Clear Lake, South Dakota, EUA.

Esta garantia substitui todas as demais garantias, expressas ou implícitas. Nenhuma pessoa está autorizada a obrigar a Empi a qualquer representação de garantia, excepto aquelas especificamente expressas neste documento.

NOTA: O período de garantia tem início a partir da data de compra ao fabricante, sendo válida durante um ano.

### **II. Limitação de Responsabilidades e Renúncia de Garantias**

A obrigação exclusiva da Empi no caso de qualquer violação das suas garantias previstas no Parágrafo I acima, será, segundo o critério da Empi, reparar ou substituir o Produto por um produto novo ou por um

produto reparado na fábrica sem encargos para o Comprador ou reembolsar o valor da compra do Produto. A fim de ser compensado ao abrigo dos termos desta Garantia, o Comprador tem de enviar à Empi uma notificação por escrito sobre o defeito em causa (descrevendo o problema com um nível de detalhe razoável) antes do termo do Período de Garantia e num espaço de 30 dias da verificação do defeito. Após pedido por escrito e autorização dada pela Empi, o Comprador deve devolver o produto à Empi, com frete e seguro pré-pagos, para inspeção. A notificação e a expedição da devolução devem ser feitas para Empi, Clear Lake, 47492, HWY 22 Clear Lake, South Dakota, EUA. O Comprador pode solicitar a aprovação da expedição contactando o Departamento de Reparações sob Garantia da Empi (Empi Warranty Repair Department) através do número de linha gratuita 1-800-862-2343. No caso de reparações ou de devoluções que ocorram fora dos EUA, contacte o seu Distribuidor Autorizado da Empi ou contacte a Empi directamente através do número 1-800-328-2536. A Empi não será responsável por danos devido a acondicionamento indevido ou expedição inapropriada. Se a Empi determinar, à sua exclusiva discrição, que o Produto contém um defeito de material ou de fabrico, a Empi reembolsará o Comprador pelo preço de compra do produto com defeito ou devolverá o Produto reparado ou uma substituição do produto em causa ao Comprador, sendo os custos de frete e do seguro facturados ao Comprador, assim que seja razoavelmente possível, após a recepção do Produto pela Empi. Se a Empi determinar, à sua exclusiva discrição, que o Produto não contém um defeito de material ou de fabrico, a Empi devolverá o Produto ao Comprador, sendo os custos de frete e do seguro facturados ao Comprador.

B. Esta garantia será anulada imediatamente se qualquer Produto tiver sido reparado ou modificado por qualquer pessoa que não seja um funcionário ou um agente autorizado da Empi, ou se tiver sido sujeito a uso incorrecto, abuso, descuido, danos ocorridos durante o transporte, acidente ou negligência.

C. EXCEPTO CONFORME ESTABELECIDO NO PARÁGRAFO I, O PRODUTO É VENDIDO “TAL COMO ESTÁ”, TODOS OS ACESSÓRIOS SÃO VENDIDOS “TAL COMO ESTÃO”, E O RISCO ABSOLUTO NO QUE SE REFERE À QUALIDADE E AO DESEMPENHO DO PRODUTO RECAI SOBRE O COMPRADOR. A GARANTIA REFERIDA NO PARÁGRAFO I TEM COMO FINALIDADE EXCLUSIVA BENEFICIAR O COMPRADOR INICIAL E A EMPI NEGA TODAS AS OUTRAS GARANTIAS INCLUINDO, MAS NÃO SE LIMITANDO A, QUAISQUER GARANTIAS EXPRESSAS OU IMPLÍCITAS. CONTUDO, NÃO OBSTANTE O SUPRAMENCIONADO, NO CASO DE UMA GARANTIA IMPLÍCITA SER DETERMINADA COMO EXISTENTE, O PERÍODO PARA DESEMPENHO PELA EMPI AO ABRIGO DA MESMA DEVE SER LIMITADA À DURAÇÃO DA VIDA DO COMPRADOR INICIAL. NENHUM FUNCIONÁRIO, REPRESENTANTE OU AGENTE DA EMPI TEM QUALQUER AUTORIDADE PARA OBRIGAR A EMPI A QUALQUER AFIRMAÇÃO, REPRESENTAÇÃO OU GARANTIA, EXCEPTO CONFORME ESTABELECIDO NESTA POLÍTICA DE GARANTIA ESCRITA. (Esta Garantia concede ao Comprador direitos legais específicos e o Comprador pode igualmente ter outros direitos que variam segundo a jurisdição local. Algumas jurisdições não permitem limitações ao período de duração de uma garantia implícita, pelo que a limitação acima indicada poderá não ser aplicável ao Comprador.)

D. A EMPI NÃO SERÁ RESPONSÁVEL PERANTE QUALQUER PESSOA POR QUAISQUER DANOS DIRECTOS, INDIRECTOS, ESPECIAIS, INCIDENTAIS OU CONSEQUENCIAIS, PERDA DE LUCROS OU DESPESAS MÉDICAS CAUSADAS POR QUALQUER DEFEITO, AVARIA, FUNCIONAMENTO INADEQUADO OU OUTRO DO PRODUTO, INDEPENDENTEMENTE DA FORMA COMO QUALQUER ACÇÃO LEGAL OU INJUNÇÃO POSSA SER INTENTADA CONTRA A EMPI (POR EXEMPLO, CONTRATO, NEGLIGÊNCIA OU OUTRO). O RECURSO EXPRESSO NO PARÁGRAFO I ACIMA DEVERÁ CONSTITUIR O ÚNICO RECURSO DO COMPRADOR. EM CASO ALGUM, DEVERÁ A RESPONSABILIDADE DA EMPI REFERENTE A QUALQUER ACÇÃO JURÍDICA RELATIVA AO PRODUTO EXCEDER O PREÇO DE COMPRA DO PRODUTO.

(Esta Garantia concede ao Comprador direitos legais específicos e o Comprador pode igualmente ter outros direitos que variam segundo a jurisdição local. Algumas jurisdições não permitem limitações de danos incidentais ou consequenciais, pelo que a limitação supramencionada poderá não ser aplicável ao Comprador.)





*Saunders*<sup>®</sup>

## **Nektractie Gids voor de gebruiker**





# Gids voor de gebruiker van het nektractietoestel

## Inhoud

Waarschuwingen en voorzorgsmaatregelen . . . . .	74
Indicaties voor gebruik . . . . .	74
Contra-indicaties voor gebruik . . . . .	74
Alvorens te beginnen . . . . .	75
Onderdelen . . . . .	75
Vorbereidingen voor behandeling . . . . .	76
Tractie uitoefenen . . . . .	76-77
Gebruik van de handpomp . . . . .	77-78
Onderhoud en probleemplossing . . . . .	79-80
Reserveonderdelen en accessoires . . . . .	80
Garantie . . . . .	80-81

---

Gefeliciteerd met uw aankoop van een Saunders nektractietoestel.

Uw nieuwe tractietoestel is speciaal ontworpen voor veilige en effectieve tractie (rekking) van het halsgedeelte (de nek). Het Saunders nektractietoestel vereist geen montage en is zo uit de doos klaar voor gebruik. Mocht u vragen hebben over gebruik van dit toestel of problemen willen melden, neem dan contact op met de erkende Empi Traction-leverancier of met Empi op het nummer +1 (800) 862 23 43.

*Lees deze aanwijzingen in hun geheel door voordat u verdergaat.*

Dit toestel kan voorzien zijn van een of meer van de onderstaande symbolen:



Uitsluitend op recept



Raadpleeg de gids voor de gebruiker



Let op



## **Waarschuwingen en voorzorgsmaatregelen**

**WAARSCHUWING:** Dit product mag alleen aan personen worden verkocht op voorschrift van een arts. De door de medisch zorgverlener verstrekte aanwijzingen moeten nauwgezet worden gevolgd. Overschrijd onder geen beding de door de medisch zorgverlener verstrekte aanbevelingen.

Het overschrijden van deze aanbevelingen kan een bestaande aandoening verslechteren of nog meer letsel veroorzaken. De tractie mag nooit pijn veroorzaken. Tijdens de behandeling kunt u het gevoel krijgen dat u uitgerekt wordt, of enig ongemak ondervinden. Als de pijn verergert in uw nek, rug, armen of benen of als u zich duizelig of misselijk voelt of andere pijn of ander ongemak tijdens of na de behandeling ondervindt, dient u het gebruik onmiddellijk te staken en uw medisch zorgverlener te raadplegen voordat u het gebruik hervat.

## **Indicaties voor gebruik**

Afhankelijk van het advies van uw medisch zorgverlener kan cervicale tractie (nektractie) worden gebruikt voor behandeling van de volgende aandoeningen:

- osteoartritis
- hoofdpijn
- discushernia
- stijve spieren
- stijve gewrichten
- wortelcompressie

## **Contra-indicaties voor gebruik**

Tractie mag niet worden gebruikt voor behandeling van de volgende aandoeningen:

- acuut of traumatisch letsel
- instabiliteit van de ruggenwervels
- breuken
- infecties of ontstekingen
- alle andere aandoeningen die door beweging kunnen verslechteren
- reumatoïde artritis
- ruggenwervelcompressie
- maligne aandoeningen

## Alvorens te beginnen

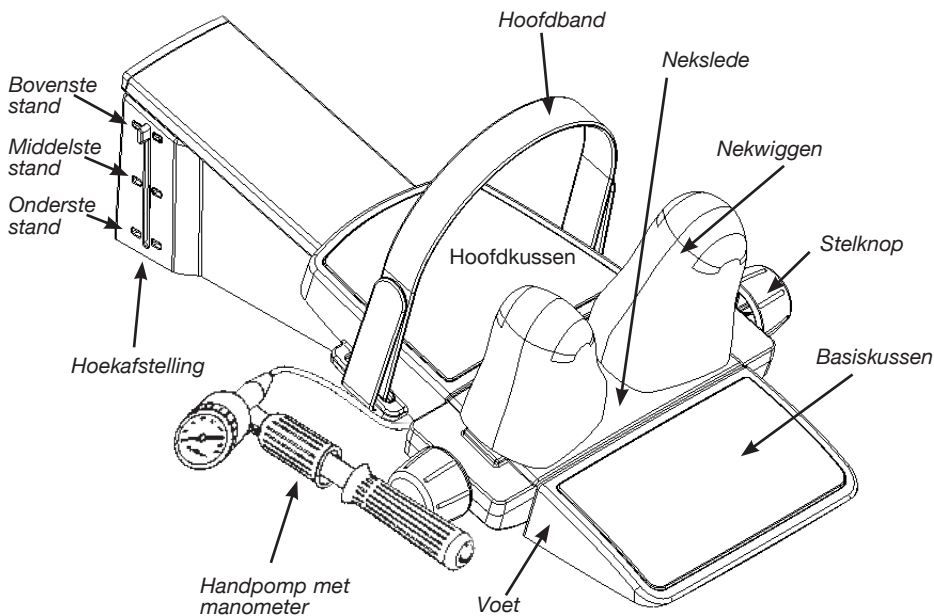
Lees de richtlijnen door die u van uw medisch zorgverlener hebt verkregen, over:

- de aanbevolen mate van tractie (nooit zoveel dat het pijn doet)
- de duur van elke behandeling
- de strek- en rusttijden als tractie met tussenpozen is aanbevolen
- het per week of per dag aanbevolen aantal behandelingen
- de tractiehoek

Verwijder oorbellen en andere soorten sieraden, boorden en dassen.

Kledingstukken zoals stropdassen, sjaals, hoeden en dikke kragen of truien moeten worden verwijderd omdat ze de behandeling kunnen belemmeren. Als u lang haar hebt, mag u dat niet aan de achterkant van uw hoofd opbinden (zoals in een vlecht of knot) omdat uw hoofd dan niet in de juiste stand kan liggen.

## Onderdelen



Afbeelding 1. De onderdelen van het Saunders nektractietoestel.

# Vorbereidingen voor behandeling

1. Zet het Saunders nektractietoestel op een vloer met vloerbedekking of een andere stevige ondergrond. Zorg dat de luchtslang niet onder de onderkant van het toestel bekneld is. Zorg dat er voldoende ruimte is om comfortabel te gaan liggen.
2. Beweeg de nekwiggen van elkaar door de zwarte stelknoppen te verdraaien zodat uw nek gemakkelijk tussen de wiggen past. Nadat u in het Saunders nektractietoestel bent gaan liggen, kunt u de positie van de nekwiggen verder aanpassen. **OPMERKING:** Draai de stelknoppen niet te ver aan. Hierdoor raken de inwendige tandwielen gestript.
3. Haal de verstelbare hoofdband los.
4. Controleer of het toestel in de uitgangspositie staat: de nekslede hoort de voet te raken. Is dat niet het geval, dan draait u de behuizing van de manometer naar de stand ““RELEASE” (LEGEN).
5. Stel de door uw medisch zorgverlener voorgeschreven tractiehoek in door de lippen aan weerszijden van de hoekafstelling in te drukken en te verschuiven totdat hij op zijn plaats valt.

Bovenste stand = 15 graden, middelste stand = 20 graden, onderste stand = 25 graden

**OPMERKING:** Als uw medisch zorgverlener geen tractiehoek heeft voorgeschreven, laat u de hoekafstelling op de bovenste stand staan (zie afb. 1).

6. Leg de pomp op een plaats waar u hem tijdens de behandeling goed kunt bereiken.
7. Stel een timer in voor de behandelingsduur (niet met het Saunders nektractietoestel meegeleverd).

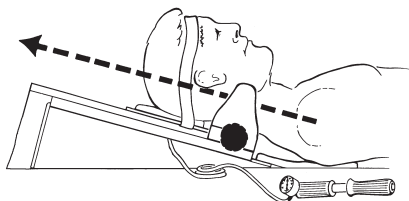
U kunt nu beginnen met gebruik van het Saunders nektractietoestel.

# Tractie uitoefenen

1. Ga op uw rug liggen en plaats uw lichaam zo dat de nekwiggen het midden of smalste deel van uw nek omringen en uw hoofd comfortabel op het

hoofdkussen ligt (zie afb. 2). De nekwiggen horen uw nek halverwege tussen de punten van uw orollen en de bovenkant van uw schouders te raken.

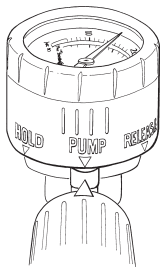
2. Draai aan de stelknoppen totdat de wiggen goed tegen beide kanten van uw nek aanliggen.
3. Wanneer u uw positie inneemt in het Saunders nektractietoestel, zullen de nekwiggen iets draaien en zichzelf afstellen volgens de contouren van uw hoofd en nek; u kunt ze ook met de hand draaien totdat u een comfortabele positie hebt gevonden.
4. Bevestig de hoofdband op uw voorhoofd, net boven uw wenkbrauwen. De hoofdband hoort goed strak te passen.
5. Oefen tractie uit met de pomp zoals beschreven in het volgende onderdeel.



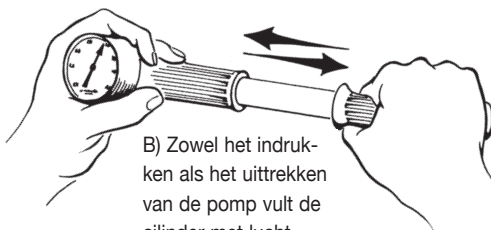
Afbeelding 2. Gebruik van het Saunders nektractietoestel

## Gebruik van de handpomp

Nadat u goed en comfortabel in het Saunders nektractietoestel ligt, verkrijgt u tractie door met een handpomp lucht in een cilinder te pompen (afb. 3).



A) Detail van de behuizing van de manometer.



B) Zowel het indrukken als het uittrekken van de pomp vult de cilinder met lucht.

Afbeelding 3. Gebruik van de handpomp

Draai de behuizing van de manometer naar de stand “PUMP” (POMPEN). Begin LANGZAAM lucht in de cilinder te pompen door de pompgreep helemaal uit te trekken en weer helemaal in te duwen. Let op de manometer om te zorgen dat u binnen de door uw medisch zorgverlener verstrekte richtlijnen blijft. Nadat u de gewenste hoeveelheid rek hebt verkregen, draait u de manometerbehuizing naar de stand “HOLD” (VASTHOUDEN). Start nu de timer voor uw behandeling, volgens de aanwijzingen van de medisch zorgverlener.

 **LET OP:** Overschrijd niet de door de medisch zorgverlener voorgeschreven mate van tractie. De door tractie veroorzaakte rek mag nooit pijn veroorzaken. Ontspan u . . . en laat het tractietoestel het werk voor u doen.

Nadat de behandeling is voltooid, heft u de tractie op door de manometerbehuizing naar “RELEASE” (LEGEN) te draaien.

 **LET OP:** Houd uw vingers uit de buurt van de spleet tussen de nekslede en de basis.

Haal de hoofdband los. Rust en ontspan u enige tijd; beweeg uw hoofd vervolgens een paar keer iets op en neer en heen en weer voordat u opstaat.

**OPMERKING:** Tijdens de behandeling neemt de druk normaliter iets af (10%) omdat uw ruggengraat zich ontspant. Voeg wanneer dit gebeurt lucht toe om de voorgeschreven tractiekracht weer te verkrijgen. Als u teveel tractie krijgt, draait u de meterbehuizing naar de stand “RELEASE” (LEGEN) om een beetje lucht uit het systeem te laten ontsnappen.

### **Overzicht van gebruik van de handpomp**

1. “HOLD” (VASTHOUDEN) - Houdt de tractiekracht op het gewenste niveau.
2. “PUMP” (POMPEN) - Vult de cilinder met lucht waardoor de tractiekracht groter wordt.
3. “RELEASE” (LEGEN) - Verwijdt lucht uit de cilinder tijdens of na behandeling en vóór gebruik.



# Onderhoud en probleemoplossing

## Onderhoud

Mocht u van mening zijn dat het Saunders nektractietoestel onderhoud nodig heeft, dan kunt u hiervoor contact opnemen met de erkende Empi Traction-leverancier of met Empi op het nummer +1 (800) 862 23 43.

## Reinigen

Alle oppervlakken van het Saunders nektractietoestel kunnen worden gereinigd met een mild detergens of desinfecterend middel. Dompel het toestel niet onder in water. Als het toestel door meerdere personen wordt gebruikt, moeten alle oppervlakken met toepassing van standaard reinigingstechnieken worden schoongemaakt, waarbij met name aandacht moet worden besteed aan onderdelen die in aanraking komen met het lichaam. Het verdient aanbeveling een nieuwe hoofdband te gebruiken.

## Bewaren

Het Saunders nektractietoestel moet worden bewaard in de beschermhoes.

## Probleemoplossing

Het Saunders nektractietoestel heeft een zeer nauwkeurige, gevoelige manometer. De pomp is zo ontworpen dat hij niet lekt met het instrument op de stand "HOLD" (VASTHOUDEN). Als u ziet dat de op de manometer weergegeven drukwaarde daalt in de stand "HOLD" (VASTHOUDEN), komt dat hoogstwaarschijnlijk omdat u zich hebt ontspannen of iets hebt bewogen. Zet het instrument in dat geval op de stand "PUMP" (POMPEN), pomp totdat u de gewenste kracht hebt verkregen, en zet het instrument weer op "HOLD" (VASTHOUDEN).

Voor een goede werking van het Saunders nektractietoestel hoort het luchtstelsysteem praktisch lekvrij te zijn. Als de tractiekracht niet behouden blijft, is er misschien een lek ergens in het systeem.

### ***Vragen die u zichzelf moet stellen:***

- Staat de pomp op "PUMP" (POMPEN) terwijl u pompt?
- Staat de pomp op "HOLD" (VASTHOUDEN) tijdens de tractiebehandeling?
- Ligt u stil? (Beweging veroorzaakt drukschommelingen.)
- Pompt u langzaam?
- Zijn alle verbindingen (bijv. slangdop, lensdop, slangverbindingen op de cilinder) goed vastgezet?

### **Probeer het volgende als het product lekt:**

- Controleer de aansluitingen van de luchtslang op de cilinder en de pomp en draai deze zo nodig voorzichtig aa “HOLD” (VASTHOUDEN) n. Draai de verbindingen niet te strak aan, omdat de schroefdraad hierdoor gestript kan raken.
- Controleer of het apparaat niet is losgeschoten en helemaal naar voren is gekomen (10 cm [4"]).
- Verricht een POP-test. Verhoog de druk (terwijl er niemand in het toestel ligt) totdat het product een knal geeft (bij ong. 22,6 kg [50 lb]), draai de meter naar de stand ““RELEASE” (LEGEN) en ga verder met de behandeling.

Mocht u vragen hebben, bel dan de erkende Empi Traction-leverancier of de klantenservice van Empi op het nummer +1 (800) 862 23 43.

## **Reserveonderdelen en accessoires**

Hieronder ziet u een lijst van reserveonderdelen en accessoires. Bel +1 (800) 328 25 36 voor nadere informatie en prijzen.

<b>BESCHRIJVING</b>	<b>ONDERDEELNUMMER</b>
Hoofdband en kussens	700723
Losse handpompset	700472
Hoekafstelling	700724
Beschermhoes	700725
Instructie-dvd	802968
Gids voor de gebruiker	360365

## **Garantie**

### **I. Garantie**

Empi garandeert dat het Saunders nektractietoestel gedurende een jaar vrij is van tekortkomingen in fabricage en materiaal.

Empi repareert of vervangt op de eigen locatie alle producten die defect worden bevonden. Deze garantie geldt niet voor producten die beschadigd zijn door onjuist gebruik of zijn vervaardigd of gewijzigd door anderen dan Empi te Clear Lake, South Dakota.

Deze garantie vervangt alle andere uitdrukkelijke of impliciete garanties. Niemand is bevoegd tot het uit naam van Empi doen van andere uitspraken aangaande de garantie dan in deze uiteengezet.

OPMERKING: De garantieperiode start op de datum van aankoop van de fabrikant, en duurt een jaar.

### **II. Beperking van aansprakelijkheid en afwijzing van garantie**

A. De enige verplichting van Empi in geval van breuk van de in paragraaf I uiteengezette garantie betreft het naar eigen goeddunken van Empi repareren van het product dan wel vervangen door een nieuw product of een in de fabriek gereviseerd product zonder kosten voor de koper, of het vergoeden

van de aankoopprijs van het product. Om in aanmerking te komen voor deze garantie, moet de koper aan Empi een schriftelijke bekendmaking over het defect (met redelijk gedetailleerde beschrijving van het probleem) zenden vóór het verstrijken van de garantieperiode, en binnen 30 dagen na constatering van het defect. Na ontvangst van een schriftelijk verzoek en autorisatie van Empi, dient de koper het op eigen kosten gefrankeerde en verzekerde product ter inspectie aan Empi te retourneren. De bekendmaking en het te retourneren product dienen te worden verzonden aan Empi, Clear Lake, 47492, HWY 22 Clear Lake, South Dakota, VS. De koper kan goedkeuring voor verzending aanvragen door de Empi Warranty Repair Department te bellen op het gratis (binnen de V.S.) nummer +1 (800) 862 23 43. Voor reparaties en retourzendingen buiten Noord-Amerika kunt u contact opnemen met de erkende Empi-leverancier of Empi direct bellen op het nummer +1 (800) 328 25 36. Empi is niet aansprakelijk voor schade vanwege ontoereikende verpakking of verzending. Indien Empi naar eigen inzicht constateert dat de fabricage of het materiaal van het product in gebreke zijn, zal Empi aan koper de aankoopprijs van het defecte product vergoeden of het gerepareerde product dan wel een vervangend product aan de koper retourneren (waarbij de kosten van verzending en verzekering aan koper in rekening worden gebracht) zodra dit redelijkerwijs mogelijk is na ontvangst van het product door Empi. Indien Empi naar eigen inzicht constateert dat de fabricage of het materiaal van het product niet in gebreke zijn, retourneert Empi het product aan de koper waarbij de kosten van verzending en verzekering aan de koper in rekening worden gebracht.

B. Deze garantie komt onmiddellijk te vervallen voor producten die zijn gerepareerd of gemodificeerd door andere personen dan daartoe bevoegde medewerkers of agenten van Empi of die onderworpen zijn geweest aan onjuist gebruik, misbruik, nalatigheid, transitio-schade, ongelukken of nalatigheid.

C. TENZIJ ZOALS BEPAALD IN PARAGRAAF I, WORDT HET PRODUCT "IN DE HUIDIGE STAAT" VERKOCHT, WORDEN ALLE ACCESSOIRES "IN DE HUIDIGE STAAT" VERKOCHT EN RUST HET RISICO INZAKE KWALITEIT EN PRESTATIE VAN HET PRODUCT BIJ DE KOPER. DE IN PARAGRAAF I GEBODEN GARANTIE GELDT UITSLUITEND VOOR DE OORSPRONKELIJKE KOPER, EN EMPI WIJST ALLE ANDERE UITDRUKKELIJKE EN IMPLICIETE GARANTIES AF, INCLUSIEF DOCH NIET BEPERKT TOT IMPLICIETE GARANTIES. TEVENS GELDT, NIETTEGENSTAANDE DE VOORGAANDE ZIN, DAT, INDIEN WORDT GECONSTATEERD DAT EEN IMPLICIETE GARANTIE VAN KRACHT IS, DE PERIODE VOOR PRESTATIE DOOR EMPI VOLGENS DEZE GARANTIE WORDT BEPERKT TOT DE LEVENSDUUR VAN DE OORSPRONKELIJKE KOPER. GEEN ENKELE WERKNEMER, VERTEGENWOORDIGER OF AGENT VAN EMPI HEEFT DE BEVOEGDHEID OM UIT NAAM VAN EMPI BEVESTIGINGEN OF UITSPRAKEN TE DOEN OF GARANTIES TE VERSTREKKEN NAAST DIT SCHRIFTELIJKE GARANTIEBELEID.

(Deze garantie verleent de koper specifieke wettelijke rechten, en de koper kan nog andere rechten hebben, aangezien deze per rechtsgebied verschillen. In sommige rechtsgebieden is beperking van de geldigheidsduur van impliciete garanties niet toegestaan, zodat bovenstaande beperking mogelijk niet voor de koper geldt.)

D. EMPI IS NIET AANSPRAKELIJK JEGENS PERSONEN VOOR DIRECTE, INDIRECTE, SPECIALE, INCIDENTELE OF BIJKOMENDE SCHADE, WINSTDERIVING OF MEDISCHE KOSTEN ALS GEVOLG VAN DEFECTEN, FALEN, STORINGEN OF ANDERSZINS VAN HET PRODUCT, ONGEACHT DE VORM WAARIN GERECHTELIJKE OF VOLGENS EQUITY GELDIGE GEDINGEN TEGEN EMPI AANHANGIG WORDEN GEMAAKT (BIJV. CONTRACT, NALATIGHEID OF ANDERSZINS). HET HIERBOVEN IN PARAGRAAF I VERMELDE VERHAAL IS HET ENIGE VERHAAL WAAROP DE KOPER RECHT KAN DOEN GELDEN. DE AANSPRAKELIJKHEID VAN EMPI, ONGEACHT DE VORM VAN RECHTSVERVOLGING, ZAL ONDER GEEN BEDING DE AANKOOPPRIJS VAN HET PRODUCT Overschrijden.

(Deze garantie verleent de koper specifieke wettelijke rechten, en de koper kan nog andere rechten hebben, aangezien deze per rechtsgebied verschillen. In sommige rechtsgebieden is uitsluiting of beperking van incidentele of bijkomende schade niet toegestaan, zodat bovenstaande beperking mogelijk niet voor de koper geldt.)



*Saunders*<sup>®</sup>

## Nacksträckning Användarhandbok





# Användarhandbok för nacksträckning

## Innehållsförteckning

Varningar och försiktighetsåtgärder . . . . .	86
Indikationer för användning . . . . .	86
Kontraindikationer för användning . . . . .	86
Innan du börjar . . . . .	87
Komponenter . . . . .	87
Förberedelse för behandling . . . . .	88
Sträckning . . . . .	88-89
Handpumpdrift . . . . .	89-90
Underhåll och felsökning . . . . .	91-92
Reservdelar och tillbehör . . . . .	92
Garanti . . . . .	92-93

---

Gratulerar till köpet av en nacksträckningsapparat från Saunders.

Den nya sträckningsapparaten är avsedd att ge en säker och effektiv sträckning av halsregionen (nacken). Nacksträckningsapparaten från Saunders behöver inte monteras och är klar att användas direkt ur förpackningen. Om du har några frågor om hur den används eller om du vill rapportera eventuella problem, kontakta din auktoriserade Empi Traction-återförsäljare på +1-800-862-2343.

*Läs anvisningarna noggrant innan du fortsätter.*

Apparaten kan innehålla en av eller alla följande symboler:



Receptbelagt



Se användarhandboken



Var försiktig!



## **Varningar och försiktighetsåtgärder**

***WARNING! Den här apparaten får endast säljas till personer av läkare eller på läkares ordination. Följ instruktionerna från din sjukvårdsgivare noggrant. Överskrid inte rekommendationerna du fått av din sjukvårdsgivare.***

Om du överskrider rekommendationerna kan tillståndet förvärras eller ytterligare skada orsakas. Sträckningen ska aldrig göra ont. Du kan känna en sträckande känsla eller svagt obehag under behandlingen. Om smärtan i nacken, ryggen, armarna eller benen ökar eller om du blir yr, illamående eller känner annat obehag under eller efter behandlingen, ska du avbryta behandlingen omedelbart och kontakta sjukvårdsgivaren angående fortsatt användning.

## **Indikationer för användning**

Beroende på vad du fått för råd av sjukvårdsgivaren, kan nacksträckning användas för att behandla följande tillstånd:

- artros
- muskelspänningar
- huvudvärk
- ledstelhet
- diskbråck
- nervrotskompression

## **Kontraindikationer för användning**

Sträckning ska inte användas för att behandla följande tillstånd:

- akut eller traumatisk skada
- reumatoid artrit
- ryggradsinstabilitet
- ryggradskompression
- fraktur
- malignitet
- infektioner och inflammatoriska sjukdomar
- andra tillstånd som kan förvärras vid rörelse



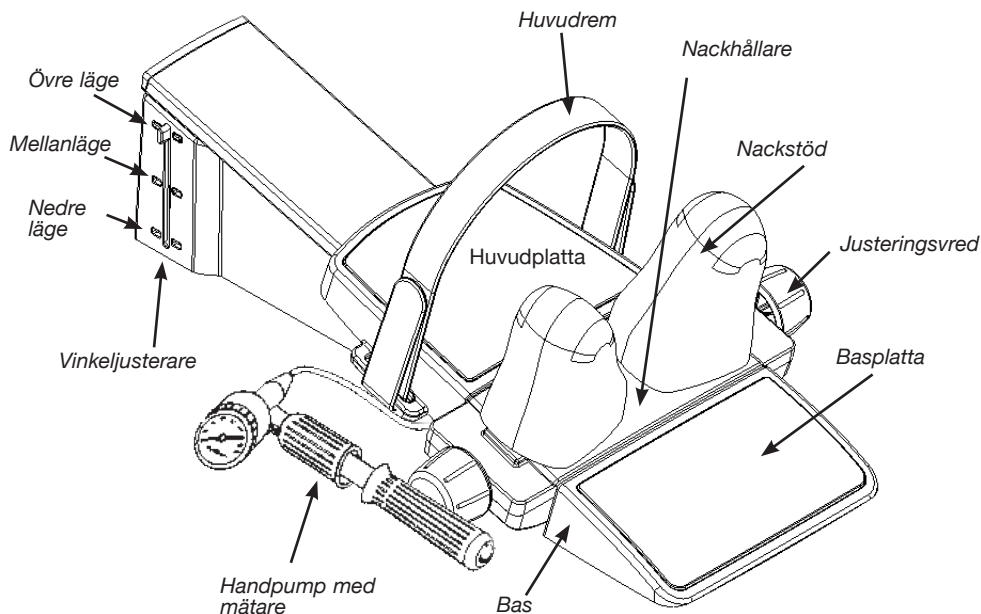
# Innan du börjar

Läs föreskrifterna du fick från sjukvårdsgivaren angående:

- mängden rekommenderad sträckning (aldrig så mycket att det gör ont)
- behandlingens varaktighet (tid)
- håll- och avslappningstider om växelvis sträckning rekommenderas
- antal rekommenderade behandlingar per vecka eller dag
- dragvinkel

Ta av örhängen och andra smycken eller klädesplagg runt nacken. Klädesplagg som slipsar, halsdukar, hattar och skjortor/tröjor med stora kragar måste tas av eftersom de kan påverka behandlingen. Om du har långt hår ska du inte sätta ihop det i en fläta eller knut i nacken eftersom du då inte kan vila huvudet i rätt läge.

## Komponenter



Figur 1. Komponenter i Saunders nacksträckningsapparat

## Förberedelse för behandling

1. Placera Saunders nacksträckningsapparat på en matta på golvet eller på en annan stabil yta. Kontrollera att luftslangen inte kläms under apparaten. Se till att du har tillräckligt med plats så att du kan ligga bekvämt.
2. Separera nackstöden genom att vrida på något av de svarta justeringsvrederna så att du lätt kan placera nacken mellan stöden. Du kan göra ytterligare justeringar när du ligger ned i Saunders nacksträckningsapparat.  
**OBS!** Vrid inte justeringsvreden för mycket. De inre delarna kan då gå sönder.
3. Lossa på den justerbara huvudremmen.
4. Se till att apparaten är i startläge - nackhållaren ska vidröra basen. Om den inte gör det vrider du mätaren till läget RELEASE (frigör).
5. Ställ in den sträckningsvinkel som sjukvårdsgivaren rekommenderar genom att trycka in och skjuta fram flikarna på båda sidor på vinkeljusteraren tills den sitter på plats.

*Vinkeljusterarlägen:* Övre = 15 grader, Mellan = 20 grader, Nedre = 25 grader

**OBS!** Om din sjukvårdsgivare inte har rekommenderat någon specifik vinkel, låt vinkeljusteraren vara i det övre läget (i figur 1.)

6. Placera pumpen i ett läge så att du kan nå den under behandlingen.
7. Ställ in en timer för hur länge behandlingen ska vara (ingår inte i Saunders nacksträckningsapparat.)

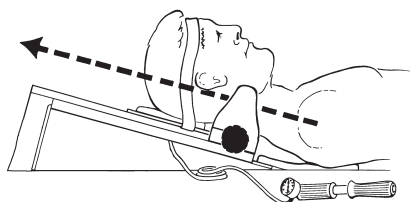
Du är nu redo att använda Saunders nacksträckningsapparat.

## Sträckning

1. Ligg på rygg, placera kroppen så att nackstöden sitter mot nackens smalaste del och huvudet vilar bekvämt på huvudplattan (se figur 2).

Nackstöden ska stödja nacken mitt emellan örsnibbarna och överdelen av axlarna.

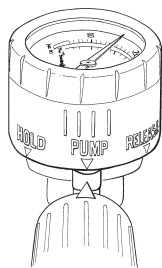
2. Vrid justeringsvreden tills nackstöden sitter ordentligt mot nacken på båda sidor.
3. När du lägger dig i Saunders nacksträckningsapparat kan nackstöden rotera något och självjusteras för att följa huvudets och nackens kontur. Du kan också rotera stöden manuellt så att de sitter så bekvämt som möjligt.
4. Spänn huvudremmen över pannan, precis ovanför ögonbrynen. Remmen ska vara åtsittande.
5. Uppnå sträckning med pumpen enligt beskrivningen i nästa avsnitt.



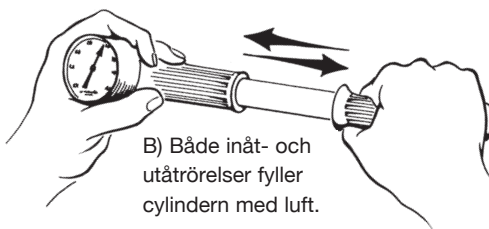
Figur 2. Användning av Saunders nacksträckningsapparat

## Handpumpdrift

När Saunders sträckningsapparat sitter som den ska och känns bekväm, uppnår du sträckning genom att pumpa in luft i cylindern med en handpump (figur 3.)



A) Närbild av mätarens hölje.



B) Både inåt- och utåtrörelser fyller cylindern med luft.

Figur 3. Handpumpdrift

Vrid mätarhöljet på pumpen till läget PUMP. Börja pumpa in luft LÅNGSAMT i cylindern genom att dra ut och föra in pumphandtaget så långt det går. Observera mätaren för att se till att du håller dig inom de intervall sjukvårdsgivaren har rekommenderat. När du har uppnått önskad sträckning, vrid mätarhöljet till läget HOLD (håll). Sätt på timern nu och följ sjukvårdsgivarens anvisningar.



**VAR FÖRSIKTIG!** Överskrid inte den sträckningsnivå som din sjukvårdsgivare rekommenderar. Sträckningen ska aldrig göra ont. Slappna av . . . låt sträckningsapparaten göra jobbet.

När behandlingen är klar, frigör du sträckningen genom att vrida mätarhöljet till läget RELEASE (frigör).



**VAR FÖRSIKTIG!** Håll fingrar på avstånd från mellanrummet mellan nackhållaren och basen.

Lösgör huvudremmen. Vila och slappna av en liten stund innan du rör huvudet försiktigt uppåt, nedåt och åt sidorna några gånger innan du reser dig upp ur sträckningsapparaten.

**OBS!** Under behandlingen är det normalt med en svag tryckförsämring (10 %) på grund av att ryggraden slappnar av. När detta inträffar pumpar du in extra luft för att bibehålla rekommenderat tryck. Om du tillför för mycket sträckning kan du vrida mätarhöljet till läget RELEASE (frigör) för att släppa ut lite luft ur systemet.

### Granskning av handpumpdrift

1. HOLD (håll)- håller kvar sträckningen på önskad nivå.
2. PUMP - fyller cylindern med luft och ökar på så vis sträckningen.
3. RELEASE (frigör) - tömmer cylindern på luft under eller efter behandlingen och före användning.

# Underhåll och felsökning

## Underhåll

Om du tror att din Saunders nacksträckningsapparat behöver underhåll, kontakta din auktoriserade Empi Traction-återförsäljare på +1-800-862-2343.

## Rengöring

Alla ytor på Saunders nacksträckningsapparat kan rengöras med mildt rengöringsmedel eller desinficeringsmedel. Sänk inte ned apparaten i vatten. Om apparaten används av flera personer ska alla ytor rengöras med standardmetoder och rengöras särskilt noggrant på de delar som kommer i kontakt med huden. Vi rekommenderar att varje användare har sin egen huvudrem.

## Förvaring

Saunders nacksträckningsapparat ska förvaras i skyddsförpackningen.

## Felsökning

Saunders nacksträckningsapparat har en mycket precis och känslig mätare. Pumpen är utformad för att hålla tätt i läget HOLD (håll). Om du ser att mätarvärdet sjunker i läget HOLD (håll) beror det troligtvis på att du har slappnat av eller rört dig något. Om detta händer återgår du till läget PUMP, pumpar till önskat tryck och ställer in läget på HOLD (håll).

För att Saunders nacksträckningsapparat ska fungera ordentligt måste luftsystemet vara tätt. Om sträckningsspänningen inte bibehålls kan det uppstå en läcka i systemet.

### *Frågor:*

- Är pumpen i läget PUMP när den används?
- Är pumpen i läget HOLD (håll) under behandlingen?
- Ligger du stilla? (Även minsta rörelse ger ett avvikande värde.)
- Pumpar du långsamt?
- Är alla komponenter täta (dvs. slanglocket, linslocket, fullgod slanganslutning vid cylindern?)

### **Försök med följande om apparaten läcker luft:**

- Kontrollera luftslangarna och luftanslutningarna vid pumpen och dra åt försiktigt vid behov. Dra inte åt för hårt eftersom gängorna kan gå sönder.
- Kontrollera att apparaten inte har slirat och uppnått fullt utslag (ca. 10 cm. [4"])
- Utför ett knalltest. När det inte ligger någon i apparaten pumpar du upp trycket tills du hör ett tydligt knalljud (vid cirka 22,5 kg [50 lbs]). Vrid sedan mätaren till frigöringsläget och fortsätt med behandlingen.

Om du har några frågor, ring till din auktoriserade Empi Traction-återförsäljare eller Empis kundtjänst på +1-800-862-2343.

## **Reservdelar och tillbehör**

Nedan finns en lista med reservdelar och tillbehör. Ring +1-800-328-2536 för information och priser.

<b>BESKRIVNING</b>	<b>ARTIKELNUMMER</b>
Huvudrem och dynor	700723
Handpumpsutbytessats	700472
Vinkeljusterare	700724
Bärväska	700725
Instruktions-DVD	802968
Användarhandbok	360365

## **Garanti**

### **I. Garanti**

Empi garanterar att Saunders nacksträckningsapparat är fri från defekter vad gäller utförande och material under ett år.

Empi reparerar eller ersätter, i egna lokaler, produkter som fastställs som defekta. Den här garantin gäller inte produkter som skadats genom felaktig användning eller som reparerats eller ändrats av någon annan än Empi i Clear Lake, South Dakota.

Den här garantin ersätter alla andra garantier, uttryckta eller underförstådda. Ingen person har befogenhet att förbinda Empi till några andra representationer av garantier än de som beskrivs häri.

OBS! Garantiperioden gäller i ett år från inköpsdatumet från tillverkaren.

### **II. Ansvarsbegränsningar och friskrivningsklausul**

A. Empis enda ansvar i händelse av brott av garantierna i paragraf I ovan, är att, enligt Empis godtycklighet, reparera eller ersätta produkten med en ny eller fabriksrenoverad produkt utan kostnad för köparen

eller betala tillbaka inköpspriset för produkten. För att få ersättning under den här garantin måste köparen skicka ett skriftligt meddelande om skadan till Empi (där problemet förklaras med rimlig detaljrikedom) innan garantiperioden går ut och inom 30 dagar från det att skadan upptäcks. När Empi skickar en skriftligt begäran och godkännande, ska köparen returnera produkten till Empi, med förbetald frakt och försäkring, för inspektion. Meddelande och returleverans ska skickas till Empi på adressen Clear Lake, 47492, HWY 22 Clear Lake, South Dakota. Köparen kan begära leveransgodkännande genom att ringa garantireparationsavdelningen på Empi på det kostnadsfria numret 1-800-862-2343. Vid reparationer eller returer utanför USA, kontakta din auktoriserade Empi-distributör, eller kontakta Empi direkt på 1-800-328-2536. Empi ansvarar inte för skador som uppstår på grund av felaktig paketering eller leverans. Om Empi efter eget gottfinnande fastställer att produkten innehåller defekter i utförande och material, ersätter Empi köparen för den defekta produkten, eller returnerar den reparerade produkten eller ersättningsprodukten till köparen, med frakt och försäkring fakturerade till köparen, så snart det är praktiskt möjligt efter det att Empi har mottagit produkten. Om Empi fastställer efter eget gottfinnande att produkten inte innehåller defekter i utförande och material, returnerar Empi produkten till köparen med frakt och försäkring fakturerade till köparen.

B. Den här garantin upphör omedelbart att gälla produkter som reparerats eller modifierats av någon annan person än auktoriserade anställda hos eller representanter för Empi eller om produkten har utsatts för felaktig användning, misskötsel, vanskötsel, skada under transport, skada eller slarvigt handhavande.

C. FÖRUTOM VAD SOM BESKRIVS I PARAGRAF I, SÄLJS PRODUKTEN ENDAST "I BEFINTLIGT SKICK", ALLA TILLBEHÖR SÄLJS "I BEFINTLIGT SKICK", OCH HELA RISKEN AVSEENDE PRODUKTENS KVALITET OCH FUNKTION LIGGER PÅ KÖPARENS ANSVAR. GARANTIN I PARAGRAF I ÄR ENDAST AVSEDD FÖR DEN URSPRUNGLIGA KÖPAREN OCH EMPI FRÅNSÄGER SIG ALLA ANDRA GARANTIER, UTRYCKTA ELLER UNDERFÖRSTÅDDA INKLUSIVE, MEN INTE BEGRÄNSAT TILL, ALLA UNDERFÖRSTÅDDA GARANTIER. I SÅDANT FALL DET FASTSTÄLLS ATT EN UNDERFÖRSTÅDD GARANTI FÖRELIGGER, SKA DOCK FUNKTIONSPERIODEN FÖR EMPI BEGRÄNSAS TILL LIVSLÅNGDEN FÖR DEN URSPRUNGLIGA KÖPAREN, I MOTSATS TILL FÖREGÅENDE MENING. INGEN ANSTÄLLD PÅ, REPRESENTANT ELLER AGENT FÖR EMPI HAR BEFOGENHET ATT FÖRBINDA EMPI TILL NÅGOT INTYGANDE, REPRESENTATION ELLER GARANTI FÖRUTOM DET SOM ANGIVITS I DEN HÄR SKRIFTLIGA GARANTIN.

(Den här garantin ger köparen specifika juridiska rättigheter och köparen kan även ha andra rättigheter som varierar beroende på geografisk plats. Vissa geografiska platser tillåter inte begränsningar för varaktigheten av underförstådda garantier, så ovanstående begränsning kanske inte gäller köparen.)

D. EMPI ANSVARAR INTE FÖR DIREKTA, INDIREKTA, SÄRSKILDA, OAVSIKTLIGA SKADOR ELLER FÖLJDSKADOR, FÖRLORADE INTÄKTER ELLER MEDICINSKA UTGIFTER ORSAKADE AV DEFEKTER, FUNKTIONSFEL ELLER ANNAT PROBLEM MED PRODUKTEN, OAVSETT VILKA JURIDISKA ELLER SKÄLIGA ÅTGÄRDER SOM VIDTAGITS MOT EMPI (T.EX. KONTRAKT, SLARV ELLER ANNAT) ÄR ERSÄTTNINGEN I PARAGRAF I OVAN KÖPARENS ENDA ERSÄTTNING. EMPIS ANSVAR UNDER ÅTGÄRDER RELATERADE TILL PRODUKTER SKA UNDER INGA OMSTÄNDIGHETER ÖVERSTIGA PRODUKTENS INKÖPSPRIS.

(Den här garantin ger köparen specifika juridiska rättigheter och köparen kan även ha andra rättigheter som varierar beroende på geografisk plats. Vissa geografiska platser tillåter inte uteslutningar eller begränsningar av oavsiktliga eller följdskador, så ovanstående begränsning kanske inte gäller köparen.)





*Saunders*<sup>®</sup>

## **Cervikal traktion - brugervejledning**





# Brugervejledning til cervikal traktion

## Indholdsfortegnelse

Advarsler og forholdsregler . . . . .	98
Indikationer for brug . . . . .	98
Kontraindikationer . . . . .	98
Før du går i gang . . . . .	99
Komponenter . . . . .	99
Klargøring før behandling . . . . .	100
Begynd traktion . . . . .	100-101
Betjening af håndpumpen . . . . .	101-102
Vedligeholdelse og fejlfinding . . . . .	102-103
Reserve dele og tilbehør . . . . .	103
Garanti . . . . .	103-104

---

Tillykke med købet af en Saunders cervikal traktionsmaskine.

Din traktionsmaskine er fremstillet til at give sikker og effektiv traktion (stræk) af det cervikale område (nakken). Din Saunders cervikale traktionsmaskine leveres fuldt samlet og er klar til brug. Hvis der skulle opstå spørgsmål om brugen eller det skulle blive nødvendigt at rapportere problemer, så kontakt den autoriserede Empi Traction forhandler eller ring til Empi på 1-800-862-2343 (kun i USA).

*Læs disse instruktioner grundigt igennem, før du går i gang.*

Et eller flere af følgende symboler vil muligvis ses på denne maskine:



Receptpligtig



Jf. brugervejledningen



Forsigtig



## **Advarsler og forholdsregler**

**ADVARSEL:** Denne maskine må kun sælges eller ordineres af en læge. Følg altid nøje anvisningerne fra din behandler. Undgå at overskride anvisningerne fra din behandler. Hvis disse anbefalinger overskrides, kan skaden forværres eller det kan forårsage nye skader. Traktion må aldrig gøre ondt. Der kan under behandlingen eventuelt føles en trækkende fornemmelse eller en lille smule ubehag. Hvis smerterne i nakken, ryggen, armene eller benene bliver værre, eller hvis du bliver svimmel, får kvalme eller andre former for smerter eller ubehag under eller efter behandlingen, skal du straks stoppe brugen og kontakte din behandler inden du genoptager brugen.

## **Indikationer for brug**

Cervikal traktion kan, alt afhængig af din behandlers råd, bruges til at behandle følgende tilstande:

- osteoarthritis
- hovedpine
- diskusprolaps
- muskelstramhed
- ledstivhed
- afklemning af nerverod

## **Kontraindikationer**

Traktion må ikke anvendes til behandling af følgende tilstande:

- akut eller traumatisk skade
- ustabil ryg
- fraktur
- infektioner og betændelsestilstande
- alle andre tilstande, der kunne forværres af bevægelse
- reumatoid arthritis
- rygmærvs-kompression
- malignitet

# Før du går i gang

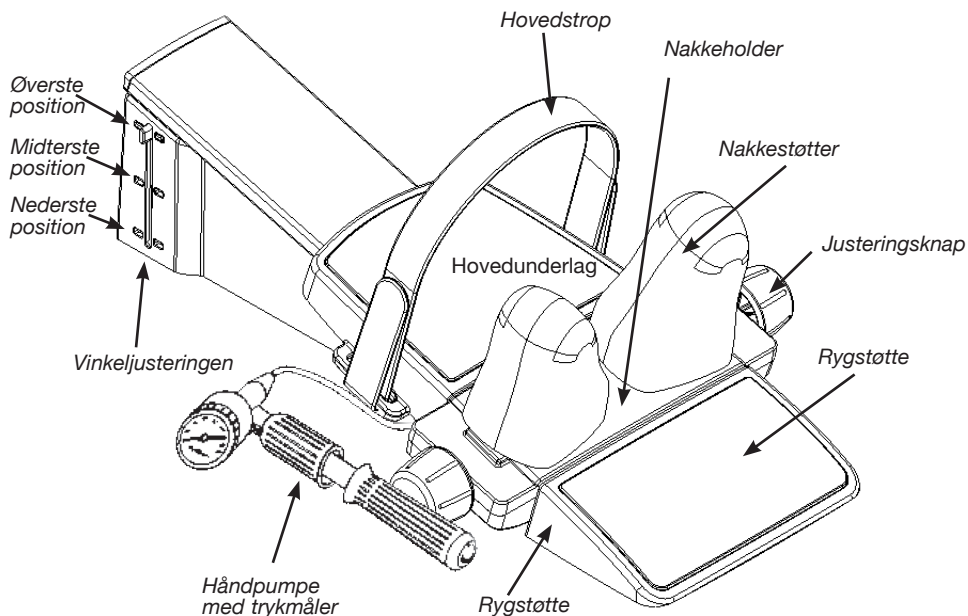
Gennemgå de retningslinjer du har modtaget fra din behandler om:

- anbefalet traktion (aldrig så meget, at det gør ondt)
- behandlingens varighed (hvor lang tid)
- antal gange du holder traktionen og antal gange du slapper af, hvis repetitioner er anbefalet
- anbefalet antal behandlinger pr. uge eller pr. dag
- vinkel på trækket

Fjern øringer og smykker eller andre ting omkring halsen.

Beklædningsgenstande, som f.eks. slips, tørklæder, hatte og store skjorte kraver/ rullekraver eller sweatre skal tages af, da de kan påvirke behandlingen negativt. Hvis du har langt hår, må du ikke trække det tilbage i en hestehale eller en knold. Gør du det, vil dit hoved ikke ligge korrekt.

## Komponenter



Figur 1. Saunders cervikale traktionsmaskine

## Klargøring før behandling

1. Anbring Saunders cervikale traktionsmaskine på et gulvtæppebelagt gulv eller anden fast overflade. Kontrollér, at luftslangen ikke er kommet i klemme under maskinen. Sørg for, at du har plads nok til at ligge ned, komfortabelt.
2. Skil nakkestøtterne ad. Dette gøres ved at dreje én eller begge de to sorte justeringsknapper sådan, at din nakke passer lige ned mellem støtterne. Du kan justere yderligere, efter at du har lagt dig ned i Saunders cervikale traktionsmaskine. **BEMÆRK:** Rotér ikke justeringsknapperne alt for meget. Dette vil ødelægge de interne dele.
3. Løsn den justérbare hovedstrop.
4. Sørg for, at maskinen er i start-position, dvs. nakkeholderen er i kontakt med rygstøtten. Hvis ikke, så drej trykmåleren hen på positionen "RELEASE" (frigør).
5. Indstil traktionsvinklen som ordineret af din behandler. Dette gøres ved at klemme tabbene sammen på begge sider af vinkeljusteringen og køre dem på plads indtil de låses fast i den korrekte position.

*Vinkeljusteringens positioner:* Øverste = 15 grader, Midterste = 20 grader, Nederste = 25 grader

**BEMÆRK:** Hvis din behandler ikke har foreskrevet en vinkel for trækket, så lad vinkeljusteringen stå i øverste position, som vist (i figur 1.)

6. Anbring pumpen sådan, at du kan nå den under behandlingen.
7. Indstil en timer til behandlingens længde (er ikke inkluderet med din Saunders cervikale traktionsmaskine.)

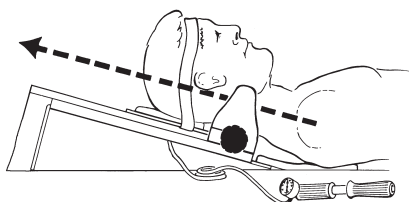
Du er nu klar til at bruge Saunders cervikale traktionsmaskine.

## Begynd traktion

1. Læg dig på ryggen, sådan at nakkestøtterne støtter midterste eller smalleste del af din nakke og dit hoved hviler komfortabelt på hovedunderlaget

(se figur 2.) Nakkestøtterne bør støtte nakken midtvejs mellem nederste del af dine øreflipper og øverst på dine skuldre.

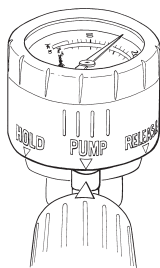
2. Drej én eller begge justeringsknapper indtil støtterne støtter godt på begge sider af nakken.
3. Når du lægger dig til rette på Saunders cervikale traktionsmaskine, vil nakkestøtterne måske dreje en smule for at tilpasse sig dit hoved og nakke. Men du kan også dreje nakkestøtterne manuelt, så du kommer til at ligge så komfortabelt som muligt.
4. Fatgør hovedstroppen over din pande, lige over øjenbrynene. Stroppen skal sidde rimelig tæt til.
5. Begynd traktion ved at bruge pumpen. Dette beskrives i næste afsnit.



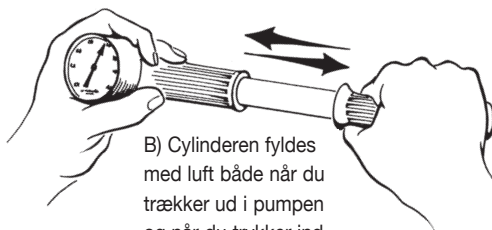
Figur 2. Brug af Saunders cervikale traktionsmaskine

## Betjening af håndpumpen

Når du er fastspændt og komfortabel i din Saunders cervikale traktionsmaskine, begynder du traktionen ved at pumpe luft i en cylinder ved hjælp af håndpumpen (figur 3).



A) Nærbillede af trykmåleren.



B) Cylinderen fyldes med luft både når du trækker ud i pumpen og når du trykker ind.

Figur 3. Betjening af håndpumpen

Drej trykmåleren på håndpumpen hen på positionen "PUMP". Begynd nu LANGSOMT at pumpe luft ind i cylinderen ved at trække pumpehåndtaget helt ud og skubbe det helt ind igen. Hold øje med måleren for at sikre, at du bliver inden for de retningslinjer, din behandler har foreskrevet. Når du har nået den ønskede mængde stræk, drejes trykmåleren hen på positionen "HOLD". Tag nu tid på behandlingen i henhold til hvad din behandler har foreskrevet.



**FORSIGTIG:** Du må ikke overskride det traktionsniveau din behandler har foreskrevet. Det stræk, der gives i forbindelse med traktionen, må aldrig gøre ondt. Slap af . . . og lad traktionsmaskinen om arbejdet.

Når behandlingen er færdig, slippes traktionen ved at dreje trykmåleren hen på positionen "RELEASE" (frigør).



**FORSIGTIG:** Hold fingrene væk fra åbningen mellem nakkeholderen og rygstøtten.

Tag hovedstroppen af. Lig stille og slap af et øjeblik. Bevæg nu hovedet en smule op og ned og fra side til side et par gange, inden du rejser dig op.

**BEMÆRK:** Et lille fald i trykket (på 10 %) i løbet af behandlingen er almindeligt. Dette skyldes af du slapper af i rygsøjlen. Pump mere luft i, når dette sker, for at nå den foreskrevne styrke. Hvis du giver for meget traktion, så drej trykmåleren hen på positionen "RELEASE" (frigør) for at slippe noget af luften ud af systemet.

### Betjening af håndpumpen - lige én gang til

1. "HOLD" - holder traktionens styrke på det ønskede niveau.
2. "PUMP" - fylder cylinderen med luft. Traktionsstyrken øges.
3. "RELEASE" (frigør) - slipper luften ud af cylinderen under eller efter behandling og før brug.



# Vedligeholdelse og fejlfinding

## Vedligeholdelse

Hvis du mener din Saunders cervikale traktionsmaskine kræver vedligeholdelse, så kontakt den autoriserede Empi Traction forhandler eller kontakt Empi på tlf. 1-800-862-2343 (kun i USA).

## Rengøring

Alle overflader på din Saunders cervikale traktionsmaskine kan tørres af med en mild sæbeopløsning eller desinficeringsmiddel. Må ikke nedsænkes i vand. Hvis maskinen bruges af flere brugere, skal alle overflader rengøres ved brug af standard rengøringsteknikker, med særlig opmærksomhed på de dele, der kommer i kontakt med patientens krop. Vi anbefaler, at der bruges en ny hovedstrop.

## Opbevaring

Saunders cervikale traktionsmaskine kan opbevares i dens bæretaske.

## Fejlfinding

Saunders cervikale traktionsmaskine er udstyret med en meget nøjagtig, følsom trykmåler. Pumpen er udformet sådan, at den ikke lækker i "HOLD" positionen. Hvis du bemærker et fald i aflæsningen på måleren, når den er i positionen "HOLD", er det sikkert fordi du slappede af eller flyttede dig en smule. Hvis dette sker, så drej tilbage til positionen "PUMP" og pump så igen til den ønskede styrke er opnået, og sæt så tilbage til "HOLD".

Korrekt funktion af Saunders cervikale traktionsmaskine kræver, at luftsyste- met er nærmest lækagefrit. Hvis traktionsstyrken ikke opretholdes, kan det skyl- des et læk et sted i systemet.

### **Spørgsmål, der bør overvejes:**

- Er pumpen i positionen "PUMP" under pumpning?
- Er pumpen i positionen "HOLD" under selve behandlingen?
- Ligger du stille? (selv små bevægelser vil give udsving).
- Pumper du langsomt?
- Er alle tilslutningerne strammet ordentligt til (dvs. slangehætten, linse- hætten, er tilslutningerne ved cylinderen gode)?

### **Hvis enheden lækker luft, så prøv følgende:**

- Kontrollér luftslangetilslutningerne på cylinderen og pumpen og stram om nødvendigt forsigtigt til. Må ikke overstrammes, da dette kan ødelægge gevindet.
- Kontrollér, at enheden ikke er gået løs og gået i fuld udsving (10 cm [4"]).
- Foretag en POP-test. Der må ikke ligge nogen i maskinen. Pump nu trykket indtil der høres et højt smæld (ved ca. 22,6 kg. [50 lbs]). Drej så trykmåleren hen på frigør-positionen, og genoptag behandlingen.

I tilfælde af spørgsmål, så kontakt den autoriserede Empi Traction forhandler eller ring til Empi kundeservice på 1-800-862-2343 (kun i USA).

## **Reserve dele og tilbehør**

Nedenfor ses en liste over reservedele og tilbehør. Ring på 1-800-328-2536 (kun i USA) for oplysninger og priser.

<b>BESKRIVELSE</b>	<b>VARENUMMER</b>
Hovedstrop og støtter	700723
Ny håndpumpe	700472
Vinkeljustering	700724
Bæretaske	700725
Instruktions-dvd	802968
Brugervejledning	360365

## **Garanti**

### **I. Garanti**

Empi garanterer, at Saunders cervikale traktionsmaskine er uden materiale- og fabriktionsfejl i ét år.

Empi vil reparere eller udskifte, på deres fabrik, et produkt, der findes at være defekt. Denne garanti dækker ikke noget produkt, der er beskadiget som følge af misbrug eller som er repareret eller ændret af andre end Empi in Clear Lake, South Dakota.

Denne garanti erstatter alle andre garantier, udtrykkelige eller underforståede. Ingen personer er autoriseret til at binde Empi til nogen erklæring om garanti udover dem, der specifikt er angivet i dette dokument.

BEMÆRK: Garantiperioden begynder på datoen for købet fra fabrikanten og gælder i ét år.

### **II. Begrænsning af ansvar og ansvarsfraskrivelse**

A. Empi's eneste forpligtigelse i tilfælde af brud på garantien, som beskrevet i paragraf I ovenfor, vil være, efter Empis egen vurdering, gratis at reparere eller udskifte produktet med et nyt eller fabriks-

rekonditioneret produkt eller godtgøre produktets købspris. For at være berettiget til dækning under denne garanti, skal køberen skriftligt informere Empi om defekten (beskrive problemet i rimeligt omfang) inden garantiperiodens udløb og inden for 30 dage af at køberen er blevet opmærksom på defekten. Køberen skal, på skriftlig anmodning fra og efter godkendelse af Empi, returnere produktet til Empi (fragt og forsikring forudbetalt) til inspektion. Den skriftlige andmodning og produktet sendes til Empi at Clear Lake, 47492, HWY 22 Clear Lake, South Dakota, USA. Køberen kan anmode om forsendelsesgodkendelse ved at ringe til Empi Warranty Repair Department på gratisnummeret 1-800-862-2343 (kun i USA). I tilfælde af reparation eller returnering uden for Nordamerika, kontaktes en autoriseret Empi forhandler eller kontakt Empi direkte på 1-800-328-2536 (kun i USA). Empi fraskiver sig ansvaret for enhver skade, der måtte skyldes forkert emballage eller forsendelse. Hvis Empi efter eget skøn afgør, at produktet er defekt i udførsel eller materialer, vil Empi, så hurtigt som rimeligt muligt efter modtagelsen af produktet, refundere køberen købsprisen på det defekte produkt, eller returnere det reparerede produkt eller sende et nyt produkt til køberen. Fragt og forsikring betales af køberen. Hvis Empi efter eget skøn afgør, at produktet ikke er defekt i udførsel eller materialer vil Empi returnere produktet til køberen. Fragt og forsikring faktureres til køberen.

B. Denne garanti bortfalder straks, hvis et produkt er blevet repareret eller ændret af en person, som ikke er en autoriseret medarbejder hos eller repræsentant for Empi, eller som er blevet udsat for forkert brug, misbrug, forsømmelse, beskadigelse under forsendelse, uheld eller forsømmelse.

C. UNDTAGEN SOM ANGIVET I PARAGRAF I, SÆLGES PRODUKTET SOM "DET ER OG FOREFINDES". ALT TILBEHØR SÆLGES SOM "DET ER OG FOREFINDES", OG HELE RISIKOEN FOR PRODUKTETS KVALITET OG PRÆSTATION PÅHVILER KØBEREN. GARANTIE, DER GIVES I PARAGRAF I, GÆLDER KUN DEN FØRSTE KØBER OG EMPI FRASKRIVER SIG ALLE ANDRE GARANTIER, UDTRYKKELIGE ELLER UNDERFORSTÅEDE, HERUNDER, MEN IKKE BEGRÆNSET TIL UNDERFORSTÅEDE GARANTIER. MEN UANSET FOREGÅENDE PARAGRAF, HVIS DER MENES AT FOREFINDES EN UNDERFORSTÅET GARANTI, SKAL PERIODEN SOM EMPI DÆKKER DENNE VÆRE BEGRÆNSET TIL LEVETIDEN FOR DEN FØRSTE KØBER. INGEN MEDARBEJDER HOS, REPRÆSENTANT ELLER AGENT FOR EMPI HAR BEFØJELSE TIL PÅ EMPIS VEGNE AT BINDE EMPI TIL NOGEN BEKRÆFTELSE, ERKLÆRING ELLER GARANTI MED UNDTAGELSE AF DEN, DER ER ANFØRT I DENNE SKRIFTLIGE GARANTIPOLITIK.

(Denne garanti giver køberen specifikke juridiske rettigheder og køberen kan også have andre rettigheder, der varierer fra land til land. Nogle lande tillader ikke begrænsninger for hvor længe underforståede garantier gælder, og derfor vedfører ovenstående begrænsning muligvis ikke køberen).

D. EMPI ER IKKE ANSVARLIG OVER FOR NOGEN PERSON FOR NOGEN SOM HELST DIREKTE, INDIREKTE, SPECIEL, HÆNDELIG ELLER FØLGESKADE, TABT FORTJENESTE ELLER MEDICINSKE UDGIFTER SOM FØLGE AF PRODUKTETS DEFEKT, SVIGT, FEJLFUNKTION ELLER ANDET, UANSET I HVILKEN FORM SAGEN ELLER "RET OG RIMELIGT" ANLÆGGES MOD EMPI (F.EKS. KONTRAKT, FORSØMMELSE ELLER ANDET). KØBERS ENESTE RETSMIDDEL VIL VÆRE SOM ANGIVET I PARAGRAF I OVENFOR. EMPIS ANSVAR MED HENSYN TIL PRODUKTET VIL UNDER INGEN OMSTÆNDIGHEDER OVERSTIGE PRODUKTETS KØBSPRIS.

(Garantien giver køberen specifikke juridiske rettigheder og køberen kan også have andre rettigheder, der varierer fra land til land. Nogle lande tillader ikke udelukkelsen eller begrænsningen af tilfældige eller følgeskader, og derfor vedfører ovenstående begrænsning muligvis ikke køberen).



*Saunders*<sup>®</sup>

## **Cervikal traksjon Brukerveiledning**





# Bruerveiledning for cervikal traksjon

## Innholdsfortegnelse

Advarsler og forholdsregler . . . . .	110
Beregnet bruk. . . . .	110
Kontraindikasjoner for bruk . . . . .	110
Før du begynner. . . . .	111
Komponenter . . . . .	111
Forberedelse til behandling . . . . .	112
Slik påføres traksjon. . . . .	112-113
Bruk av håndpumpe. . . . .	113-114
Vedlikehold og feilsøking . . . . .	115-116
Reservedeler og tilleggsutstyr . . . . .	116
Garanti . . . . .	116-117

---

Gratulerer med kjøpet av en Saunders anordning for cervikal traksjon.

Den nye traksjonsanordningen er utformet for å gi trygg og effektiv traksjon (strekking) i det cervikale området (halsen). Saunders anordning for cervikal traksjon trenger ikke montering og er klar til bruk så snart den er pakket ut. Hvis du har spørsmål med hensyn til bruk eller for å rapportere problemer, kan du kontakte en autorisert Empi Traction-forhandler eller Empi på 1-800-862-2343.

*Les hele veiledningen nøye før du fortsetter.*

Anordningen kan inneholde ett av eller alle de følgende symboler:



Reseptpliktig



Se brukerveiledningen



Forsiktig



## **Advarsler og forholdsregler**

**ADVARSEL:** Salget av denne anordningen til enkeltpersoner skal kun gjøres av eller etter henvisning fra lege. Veiledningene som er gitt av helsetjen est en skal følges nøye. Ikke overskrid anbefalingene fra helsetjenesten. Overskridelse av disse anbefalingene kan forverre en eksisterende tilstand eller forårsake ytterligere skade. Traksjon skal aldri forårsake smerte. Du kan ha en strekkende følelse eller et lett ubehag under behandling. Hvis smerten øker i halsen, ryggen, armene eller beina, eller hvis du opplever svimmelhet, kvalme eller noen annen form for smerte eller ubehag under eller etter behandling, skal du umiddelbart stanse bruken og ta kontakt med helsetjenesten før du gjenopptar bruken.

## **Beregnet bruk**

Avhengig av rådet fra helsetjenesten, kan cervikal traksjon brukes til å behandle disse lidelser:

- osteoartritt
- hodepine
- skiveprolaps
- muskelstramhet
- stivhet i ledd
- nerverotkompresjon

## **Kontraindikasjoner mot bruk**

Traksjon skal ikke brukes til å behandle disse lidelsene:

- akutt eller traumatisk skade
- spinal ustabilitet
- fraktur
- infeksjoner og inflammatoriske sykdommer
- andre lidelser som kan bli forverret ved bevegelse
- leddgikt
- ryggmargskompresjon
- ondartethet



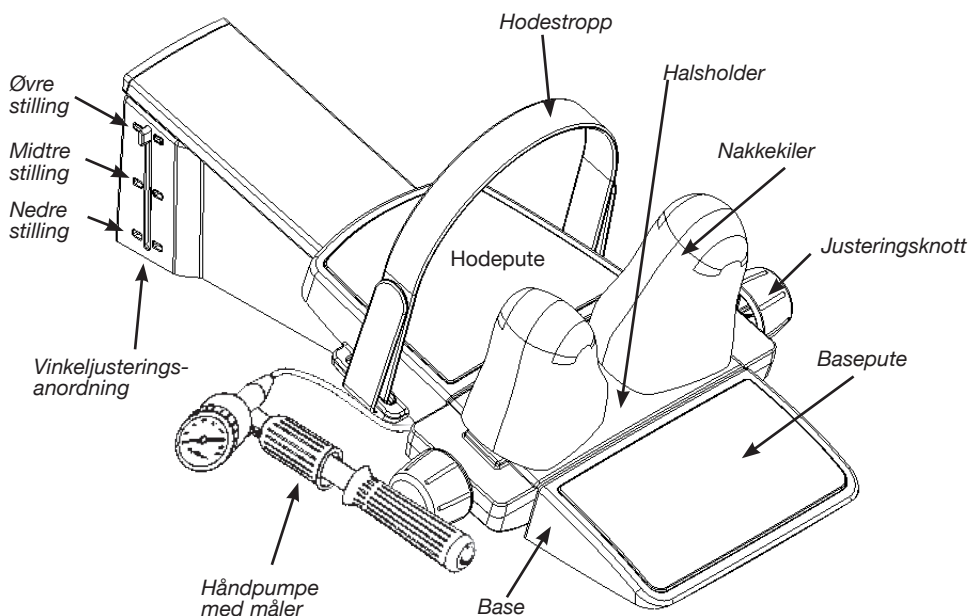
# Før du begynner

Gjennomgå retningslinjene du fikk hos helsetjenesten med hensyn til:

- grad av traksjon anbefalt (aldri så mye at det gjør vondt)
- varighet (tidsomfang) av hver behandling
- tidsperioder for venting og avslapning hvis traksjon med intervaller anbefales
- antall behandlinger anbefalt pr. uke eller pr. dag
- trekkvinkel

Fjern øreringer og andre smykker eller plagg rundt halsen. Klesplagg som for eksempel slips, skjerf, luer og store skjortekraver eller gensere skal fjernes siden de kan forstyrre behandlingen. Hvis du har langt hår, skal det ikke samles bak på hodet, slik som i en flette eller topp, siden dette ikke vil la hodet hvile i riktig stilling.

## Komponenter



Figur 1. Komponenter i Saunders anordning for cervikal traksjon

## Forberedelse til behandling

1. Sett Saunders anordning for cervikal traksjon på et teppebelagt golv eller en annen fast flate. Påsé at luftslangen ikke blir klemt under enheten. Påsé at du har nok plass til å legge deg ned i en komfortabel stilling.
2. Skill nakkekilene fra hverandre ved å dreie én av de svarte justeringsknottene slik at nakken passer lett mellom kilene. Du kan foreta ytterligere justeringer etter at du legger deg ned i Saunders anordning for cervikal traksjon. **MERK:** Ikke drei justeringsknottene for mye. Dette vil resultere i at det indre giret kan slippe.
3. Løsne den justerbare hodestropen.
4. Påse at anordningen er i startstilling - halsholderen skal berøre basen. Hvis ikke, drei målerhuset til "RELEASE" (Frigi)-stilling.
5. Innstill traksjonsvinkelen foreskrevet av helsetjenesten ved å klemme og skyve flikene på begge sider av vinkeljusteringsanordningen til den låses på plass.

*Vinkeljusteringsanordningens stillinger: Øvre = 15 grader, midtre = 20 grader, nedre = 25 grader*

**MERK:** Hvis helsetjenesten ikke har spesifisert trekkvinkelen, la vinkeljusteringsanordningen være i den øvre stillingen som vist (i figur 1.)

6. Sett pumpen i en slik stilling at du kan nå den under behandlingen.
7. Innstill en tidsangiver på lengden av behandling (følger ikke med Saunders anordning for cervikal traksjon.)

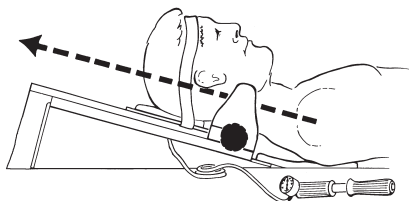
Du er nå klar til å bruke Saunders anordning for cervikal traksjon.

## Slik påføres traksjon

1. Legg deg på ryggen med kroppen slik at nakkekilene støtter den midterste eller smaleste delen av halsen og hodet hviler

komfortabelt på hodeputen (se figur 2). Nakkekilene skal ha kontakt med nakken midtveis mellom spissen av øreflippene og toppen av skuldrene.

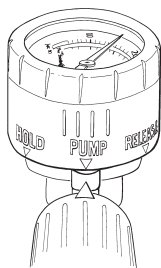
2. Drei én av justeringsknottene til kilene har flyttet seg godt inntil begge sider av nakken.
3. Ettersom du tilpasser deg Saunders ncervikal trasjon, kan nakkekilene dreie litt og tilpasse seg til konturen av hodet og nakken eller du kan dreie kilene manuelt slik det måtte være nødvendig for å få mest mulig komfortabel tilpasning.
4. Fest hodestroppen over pannen, like over øyenbrynene. Stroppen skal sitte stramt.
5. Påfør traksjon med pumpen som beskrevet i neste avsnitt.



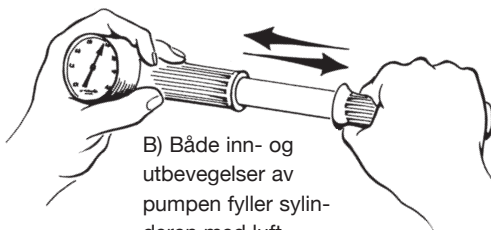
Figur 2. Slik bruker du Saunders anordning for cervikal traksjon

## Bruk av håndpumpe

Etter at du er godt festet og komfortabel i Saunders anordning for cervikal traksjon, påfører du traksjon ved å pumpe luft inn i en sylinder med en håndpumpe (figur 3).



A) Nærbilde av måler- hus.



B) Både inn- og utbevegelser av pumpen fyller sylindren med luft.

Figur 3. Slik brukes håndpumpen

Drei målerhuset på håndpumpen til "PUMP" (Pumpe)-stilling. Begynn å LANGSOMT pumpe luft inn i sylindere ved å trekke pumpehåndtaker helt ut og trykke det helt inn. Hold øye med måleren for å påse at du holder deg innenfor retningslinjene som helsetjenen har gitt deg. Når du har oppnådd ønsket strekk, drei målerhuset til "HOLD" (Hold)-stilling. Begynn nå å ta tiden for behandling og følge anvisningene fra helsetjenen.



**FORSIKTIG:** Ikke overstig traksjonsnivået som helsetjenesten har foreskrevet. Strekk fra traksjon skal aldri gjøre vondt. Slapp av . . . la traksjonsanordningen gjøre jobben.

Når behandlingen er fullført, slå av traksjonen ved å dreie målerhuset til "RELEASE" (Frigi) -stilling.



**FORSIKTIG:** Hold fingrene borte fra mellomrommet mellom halsholderen og basen.

Åpne hodestroppen. Du bør hvile og slappe av en liten stund. Beveg deretter hodet litt opp og ned og side til side noen få ganger før du kommer deg ut av traksjonsanordningen.

**MERK:** I løpet av behandlingen er det normalt med et lite trykktap (med 10 %) pga. at ryggraden slapper av. Hvis dette skjer, tilføres mer luft for å komme tilbake til den foreskrevne styrken. Hvis du påfører for mye traksjon, dreies målerhuset til "RELEASE" (Frigi)-stilling for å slippe ut litt luft fra systemet.

### Gjennomgang av håndpumpedrift

1. "HOLD" (Hold) - holder traksjonskraften på ønsket nivå.
2. "PUMP" (Pumpe) - fyller sylindere med luft, slik at traksjonskraften øker.
3. "RELEASE" (Frigi) -stilling - tømmer ut luft fra sylindere under eller etter behandling og før bruk.

# Vedlikehold og feilsøking

## Vedlikehold

Hvis du mener at Saunders anordning for cervikal traksjon krever vedlikehold, ta kontakt med den autoriserte Empi Tration-forhandleren eller kontakt Empi på 1-800-862-2343.

## Rengjøring

Alle overflater på Saunders anordning for cervikal traksjon kan rengjøres med et mildt vaskemiddel eller desinfeksjonsmiddel. Enheten må ikke legges i vann. Hvis enheten blir overført mellom forskjellige brukere, skal alle overflater rengjøres med standard rengjøringsmetoder med spesiell oppmerksomhet på komponenter som kommer i kontakt med kroppen. Vi anbefaler å bruke en ny hodestropp.

## Oppbevaring

Saunders anordning for cervikal traksjon skal oppbevares i vernevesken.

## Feilsøking

Saunders anordning for cervikal traksjon har en svært nøyaktig, følsom måler. Pumpen er spesielt utformet for ikke å lekke når den står i "HOLD" (Hold)-stilling. Hvis du merker at måleravlesningen faller i "HOLD" (Hold)-stilling, er det antagelig fordi du slappet av eller flyttet deg litt. Hvis dette skjer, gå tilbake til "PUMP" (Pumpe)-stilling og pump tilbake til ønsket styrke, og gjeninnstill deretter til "HOLD" (Hold).

Riktig drift av Saunders anordning for cervikal traksjon krever at luftsystemet praktisk talt er uten lekkasje. Hvis traksjonskraften ikke opprettholdes, kan det være en lekkasje i systemet.

### **Spørsmål du skal stille:**

- Er pumpen i "PUMP" (Pumpe)-stilling når du pumper?
- Er pumpen i "HOLD" (Hold)-stilling når du får behandling?
- Ligger du stille? (Enhver bevegelse kan forårsake drift.)
- Pumper du langsomt?
- Er alle koblinger tette (dvs. slangelokk, linselokk, tett slangetilkobling ved sylindren?)

### **Hvis enheten lekker luft, prøv følgende:**

- Kontroller luftslangetilkoblingene på sylindere og pumpen og stram forsiktig etter behov. Ikke stram for mye siden gjengene kan bli ødelagtes.
- Påse at enheten ikke er glidd ut av posisjon og gått til fullt utslag (10 cm [4"]).
- Utfør en POPP-test. Uten at noen er i enheten, pump opp trykket til enheten lager et høyt smell (ved ca. 22,6 kg [50 pund]), drei deretter måleren til frigjøringsstillingen og fortsett med behandlingen.

Hvis du har spørsmål kan du ringe til den autoriserte Empi Traction-forhandleren eller ringe til Empi Customer Service [kundeforhold] på 1-800-862-2343.

**Reservedeler og tilleggsutstyr** Du finner en liste over reservedeler og tilleggsutstyr nedenfor. Ring 1-800-328-2536 for detaljer og priser.

Hodestropp og puter	700723
Utskiftingssett for håndpumpe	700472
Vinkeljusteringsanordning	700724
Bærevekke	700725
DVD med instruksjoner	802968
Bruerveiledning	360365

## **Garanti**

### **1. Garanti**

Empi garanterer at Saunders anordning for cervikal traksjon er uten defekter i utførelse og materialer i ett år.

Empi vil reparere eller erstatte, på sitt eget anlegg, ethvert produkt som blir funnet å være defekt. Denne garantien gjelder ikke et produkt som er skadet ved feilbruk eller reparert eller endret av noen annen enn Empi i Clear Lake, South Dakota.

Denne garantien tilsidesetter alle andre garantier og enhver annen garanti, uttrykt eller innbefattet. Ingen person har autorisasjon til å binde Empi til noen fremstilling av garanti bortsett fra de som er spesifikt fremsatt her.

MERK: Garantiperoden begynner med kjøpsdatoen fra produsenten og varer i ett år.

### **II. Ansvarsbegrensninger og fraskrivelse av garantier**

A. Empis eneste forpliktelse i tilfelle av brudd på sine garantier fremsatt i avsnitt I ovenfor, skal være, etter Empis valg, å reparere eller erstatte produktet med et nytt eller fabrikk-

restaurert produkt gratis til kjøper eller refusjon av kjøpsprisen for produktet. For å få utbedring under denne garantien, må kjøper sende Empi en skriftlig melding om defekten (beskrive problemet i rimelig detalj) før utløp av garantiperioden og innen 30 dager etter at defekten ble oppdaget. Etter Empis skriftlige anmodning og godkjenning, skal kjøper returnere produktet til Empi til inspeksjon, med frakt og forsikring forhåndsbetalt. Varsel og returforsendelse skal sendes til Empi, Clear Lake, 47492, HWY 22, Clear Lake, South Dakota. Kjøper kan anmode om godkjenning av forsendelse ved å ringe til Empi Warranty Repair Department [Empis garantireparasjonsavdeling] på gratisnummeret 1-800-862-2343. I tilfelle av reparasjon eller retur utenfor Nord-Amerika, ta kontakt med den autoriserte Empi-forhandleren eller kontakt Empi direkte på 1-800-328-2536. Empi vil ikke være ansvarlig for skader pga. feil emballasje eller forsendelse. Hvis Empi bestemmer etter eget skjønn at produktet har defekt i utførelse eller materialer, vil Empi refundere kjøperen kjøpsprisen for det defekte produktet eller returnere det reparerte produktet eller en erstatning for dette til kjøper, frakt og forsikring fakturert til kjøperen, så snart det er rimelig mulig etter at Empi har mottatt produktet. Hvis Empi bestemmer etter eget skjønn at produktet ikke har defekt utførelse eller materialer, vil Empi vil returnere produktet til kjøperen, frakt og forsikring fakturert til kjøperen.

B. Denne garantien blir øyeblikkelig opphevet for ethvert produkt som er blitt reparert eller modifisert av noen annen person enn autoriserte ansatte eller agenter for Empi eller som har vært utsatt for feilbruk, misbruk, forsømmelse, skade i transit, uhell eller uaktsomhet.

C. UNNTATT SOM FREMSATT I AVSNITT I, BLIR PRODUKTET SOLGT PÅ "SLIK DET ER"-BASIS, ALT TILLEGGSTUTSTYR BLIR SOLGT "SLIK DET ER" OG ALL RISIKO MED HENSYN TIL KVALITETEN OG YTELSEN ER HOS KJØPER. GARANTIEN GITT I AVSNITT I ER KUN TILTENKT TIL FORDEL FOR DEN OPPRINNELIGE KJØPER OG EMPI FRASKRIVER SEG ALLE ANDRE GARANTIER, UTTRYKTE ELLER ANTYDEDE, INKLUDERT, MEN IKKE BEGRENSET TIL ENHVER ANTYDET GARANTI, MEN, IKKE I MOTSETNING TIL DEN FOREGÅENDE SETNINGEN. I TILFELLE DET BLIR FASTSLÅTT AT EN ANTYDET GARANTI EKSISTERER, SKAL YTELSESPERIODEN FOR EMPI DERUNDER VÆRE BEGRENSET TIL DEN OPPRINNELIGE KJØPER'S LEVETID. INGEN ANSATT, REPRESENTANT ELLER AGENT FOR EMPI HAR AUTORITET TIL Å BINDE EMPI TIL NOEN BEKREFTELSE, FREMSTILLING ELLER GARANTI BORTSETT FRA SOM UTTRYKT I DENNE SKRIFTLIGE GARANTIPOLITIKKEN. (Denne garantien gir kjøper spesifikke juridiske rettigheter og kjøper kan også ha andre rettigheter som varierer fra delstat til delstat. Noen delstater tillater ikke begrensninger av hvor lenge en innbefattet garanti varer, slik at grensen ovenfor muligens ikke gjelder for kjøperen.)

D. EMPI SKAL IKKE VÆRE ANSVARLIG OVERFOR NOEN PERSON FOR NOEN DIREKTE, INDIREKTE, SPESIELL, TILFELDIG SKADE ELLER FØLGESKADER, TAPT FORTJENESTE ELLER MEDISINSKE UTGIFTER FORÅRSAKET AV NOEN DEFEKT, FEILFUNKSJON ELLER PÅ ANNEN MÅTE AV PRODUKTET, UANSETT I HVILKEN FORM EN JURIDISK ELLER REELL SAK BLIR ANLAGT MOT EMPI (F. EKS., KONTRAKT, FORSØMMELSE ELLER PÅ ANNEN MÅTE) RETTSMIDLET GITT I AVSNITT I OVENFOR SKAL VÆRE KJØPERS ENESTE RETTSMIDDEL. UNDER INGEN OMSTENDIGHETER SKAL EMPI'S ERSTATNINGSANSVAR UNDER NOEN RETTSKRAV FORBUNDET MED PRODUKTET OVERSTIGE KJØPSPRISEN FOR PRODUKTET. (Garantien gir kjøper spesifikke juridiske rettigheter og kjøper kan også ha andre rettigheter som varierer fra delstat til delstat. Noen delstater tillater ikke utelukkelsen eller begrensningen av tilfellige eller følgeskader, slik at grensen ovenfor muligens ikke gjelder for kjøperen.)





*Saunders*<sup>®</sup>

## Kaularangan traktio Käyttöohje





# Kaularangan traktiolaitteen käyttöohje

## Sisällysluettelo

Varoitukset ja varotoimet . . . . .	122
Käyttöaiheet . . . . .	122
Vasta-aiheet . . . . .	122
Ennen käyttöä. . . . .	123
Osat . . . . .	123
Hoitoon valmistautuminen . . . . .	124
Traktion suorittaminen . . . . .	124-125
Käsipumpun käyttäminen. . . . .	125-126
Huolto ja vianetsintä. . . . .	127-128
Varaosat ja lisävarusteet. . . . .	128
Takuu . . . . .	128-129

---

Onnittelemme Saunders-merkkisen kaularangan traktiolaitteen hankkimisesta.

Uusi traktiolaite on suunniteltu tuottamaan turvallinen ja tehokas traktio (venytys) kaularangan alueelle (niskaan). Saunders-merkkinen kaularangan traktiolaite ei vaadi kokoamista, ja sitä voidaan käyttää välittömästi. Jos sinulla on kysyttävää laitteen käytöstä tai haluat raportoida ongelmasta, ota yhteyttä valtuutettuun Empin traktiolaitteiden jälleenmyyjään tai suoraan Empin numeroon 1-800-862-2343.

*Lue nämä ohjeet kokonaan ennen laitteen käyttämistä.*

Laitteessa voi olla jokin tai kaikki seuraavista symboleista:



Reseptilääke



Lue käyttöohje



Huomio



## **Varoitukset ja varotoimet**

**VAROITUS:** Tätä laitetta saa myydä vain yksityishenkilöille ja vain lääkäri tai lääkärin määräyksestä. Terveystoimihenkilöstön antamia ohjeita tulee noudattaa tarkasti. Älä ylitä terveystoimihenkilöstön antamia suosituksia. Näiden suositusten ylittäminen voi pahentaa olemassa olevaa tilaa tai aiheuttaa lisävammoja. Traktion ei tule koskaan aiheuttaa kipua. Venytyksen tunnetta tai jotakin muuta lievästi epämukavaa tunnetta voi esiintyä hoidon aikana. Jos kipu lisääntyy niskassa, selässä, käsissä tai jaloissa, tai jos koet huimausta, pahoinvointia tai muuta kipua tai epämukavaa tunnetta hoidon aikana tai sen jälkeen, lopeta tuotteen käyttö välittömästi ja kysy lisäohjeita hoitohenkilöstöltä.

## **Käyttöaiheet**

Hoitohenkilöstön antamista ohjeista riippuen kaularangan traktiota voidaan käyttää seuraavien tilojen hoitamiseen:

- osteoartriitti
- lihasjäykkyys
- päänsärky
- niveljäykkyys
- välilevyn pullistuma
- hermojuuren puristus

## **Vasta-aiheet**

Traktiota ei tule käyttää seuraavien tilojen hoitamiseen:

- akuutti tai traumaattinen vamma
- nivelreuma
- selkärangan epävakaus
- selkäytimen puristus
- murtuma
- pahanlaatuisuus
- infektiot ja tulehdustaudit
- mikä muu tahansa tila, joka voi heikentyä liikkumisen seurauksena

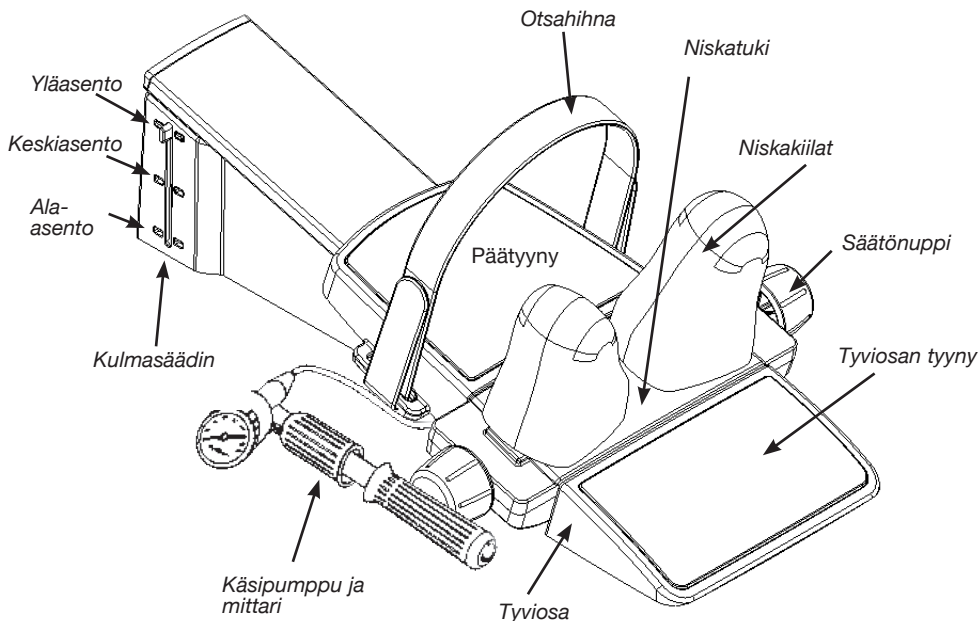
# Ennen käyttöä

Kertaa hoitohenkilöiltä saamasi, seuraavia piirteitä koskevat ohjeet:

- suositeltava traktion määrä (ei koskaan niin paljon, että tuntuu kipua)
- kunkin hoitokerran kesto
- pito- ja rentoutusajat, jos hoitohenkilö on suositellut jaksottaista traktiota
- suositeltujen hoitokertojen lukumäärä viikossa tai päivässä
- vetokulma

Poista korvakorut ja muut korut tai kaulukset. Tietyt vaatekappaleet, kuten solmiot, huivit, hatut tai suuret kaulukset tai puserot tulee poistaa, koska ne voivat häiritä hoitoa. Jos sinulla on pitkät hiukset, älä pidä niitä hoidon aikana takarivolla letillä tai nutturalla, koska tällöin pääsi ei ole oikeassa asennossa.

## Osat



Kuva 1. Saunders-merkkisen kaularangan traktioliaitteen osat

## Hoitoon valmistautuminen

1. Aseta Saunders-traktiolaite matolle tai muulle lujalle alustalle. Varmista, ettei yksikön pohja purista ilmaletkua. Varmista, että sinulla on riittävästi tilaa mukavassa asennossa makaamiseen.
2. Erotta niskakiilat kääntämällä mustia säätönuppeja niin, että niskasi mahtuu helposti kiilojen väliin. Voit tehdä lisäsäätöjä Saunders-traktiolaitteeseen sen jälkeen, kun olet jo asettunut laitteeseen. **HUOMAUTUS:** Älä kierrä säätönuppeja liikaa. Tämä voi aiheuttaa sisäisen mekanismin vaurioitumisen.
3. Löysää säädettävää otsahihnaa.
4. Varmista, että laite on aloitusasennossa - niskatuen tulee koskettaa tyviosaa. Jos näin ei ole, käännä mittarikotelo ”RELEASE” (vapautus) -asentoon.
5. Aseta hoitohenkilöstön ilmoittama traktiokulma puristamalla ja liu'uttamalla kulmasäätimen molemmilla puolilla olevia tappeja, kunnes ne lukkiutuvat paikoilleen.

*Kulmasäätimen asennot: Ylä = 15 astetta, Keski = 20 astetta, Ala = 25 astetta*

**HUOMAUTUS:** Jos hoitohenkilöstö ei ole ilmoittanut vetokulmaa, jätä kulmasäädin yläasentoon kuvan osoittamalla tavalla (kuva 1.)

6. Aseta pumppu sellaiseen paikkaan, jossa yletyt siihen hoidon aikana.
7. Aseta haluttu hoitokerran pituus ajastimeen (ei toimiteta Saunders-traktiolaitteen mukana.)

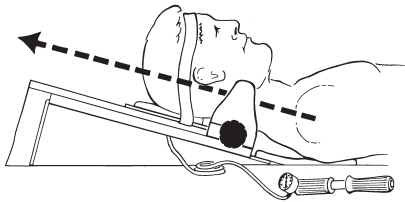
Olet nyt valmis käyttämään Saunders-traktiolaitetta.

## Traktion suorittaminen

1. Makaa selälläsi siten, että niskakiilat tukevat niskan keskiosaa eli sen kapeinta osaa ja pääsi lepää mukavasti päätyynyllä (katso kuva 2).

Niskakiilojen tulee koskettaa niskaa korvanlehtien kärjen ja hartioiden yläosan puolivälissä.

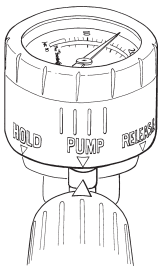
2. Käännä jompaakumpaa säätönuppia, kunnes kiilat ovat tukevasti niskan molemmilla puolilla.
3. Asettuessasi Saunders-traktiolaitteeseen niskakiilat voivat kääntyä hiukan ja mukautua pään ja niskan muotoihin. Voit tarpeen mukaan kääntää kiiloja myös käsin mukavan asennon saavuttamiseksi.
4. Kiinnitä otsahihna aivan kulmakarvojen yläpuolelle. Hihnan tulee istua tukevasti.
5. Aloita traktio käyttämällä pumppua seuraavassa osassa kuvatulla tavalla.



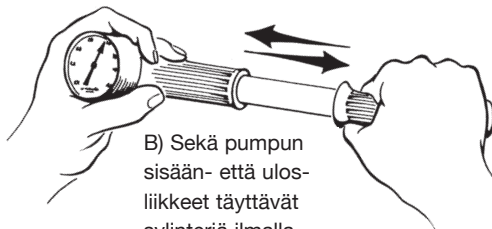
Kuva 2. Saunders-merkkisen kau-larangan traktiolaitteen käyttö

## Käsiumpun käyttäminen

Kun olet asettunut turvallisesti ja mukavasti Saunders-traktio-laitteeseen, aloita traktio pumppaamalla sylinteriin ilmaa käsiumpun avulla (kuva 3).



A) Mittarikotelon lähikuva.



B) Sekä pumpun sisään- että ulos-liikkeet täyttävät sylinteriä ilmalla.

Kuva 3. Käsiumpun käyttäminen

Käännä käsipumpun mittarikotelo ”PUMP” (pumppaus) -asentoon. Pumppaa ilmaa HITAASTI sylinteriin painamalla ja vetämällä pumppukahvaa sisään ja ulos koko matkalta. Varmista mittaria tarkkailemalla, että pysyt hoitohenkilöstön määrittämässä rajoissa. Kun olet saavuttanut halutun venytysmäärän, käännä mittarikotelo ”HOLD” (pito) -asentoon. Aloita nyt hoitoajan mittaus hoitohenkilöstön antamien ohjeiden mukaisesti.



**HUOMIO:** Älä ylitä hoitohenkilöstön määrittämää traktiotasoa. Traktion aiheuttaman venytyksen ei tule koskaan aiheuttaa kipua. Rentoudu. . . anna traktiolaitteen tehdä työ puolestasi.

Vapauta traktio hoidon päättyessä kääntämällä mittarikotelo ”RELEASE” (vapautus) -asentoon.



**HUOMIO:** Älä aseta sormia niskatuen ja tyviosan väliseen aukkoon.

Avaa otsahihna. Lepää ja rentoudu hetken aikaa; liikuta päätä sitten hiukan ylös, alas ja sivuille ennen traktiolaitteesta poistumista.

**HUOMAUTUS:** Hoidon aikana pieni paineenmenetys (10 %) on normaalia. Tämä johtuu selkärangan rentoutumisesta. Lisää tämän tapahtuessa ilmaa, jotta voit palata määrättyyn voimaan. Jos traktiota on liikaa, käännä mittarikotelo ”RELEASE” (vapautus) -asentoon, jotta järjestelmästä poistuu hiukan ilmaa.

### **Yhteenveto käsipumpun käytöstä**

1. ”HOLD” (pito) - säilyttää traktiovoiman halutulla tasolla.
2. ”PUMP” (pumppaus) - täyttää sylinterin ilmalla lisäten traktiovoimaa.
3. ”RELEASE” (vapautus) - tyhjentää ilman sylinteristä hoidon aikana tai sen jälkeen ja ennen laitteen käyttöä.



# Huolto ja vianetsintä

## Huolto

Jos epäilet, että Saunders-merkkinen kaularangan traktioliite tarvitsee huoltoa, ota yhteyttä valtuutettuun Empin traktioliitteiden jälleenmyyjään tai suoraan Empin numeroon 1-800-862-2343.

## Puhdistus

Saunders-merkkisen kaularangan traktioliitteen kaikki pinnat voidaan puhdistaa miedolla puhdistus- tai desinfiointiaineella. Älä upota laitetta veteen. Jos laitetta käytetään useille henkilöille, kaikki pinnat tulee puhdistaa käyttämällä normaaleja puhdistusmenetelmiä ja kiinnittämällä erityistä huomiota vartalon kanssa kosketuksissa oleviin osiin; suosittelemme uuden otsahihnan käyttämistä.

## Säilytys

Saunders-merkkistä kaularangan traktioliitettä tulee säilyttää suojakotelossa.

## Vianetsintä

Saunders-merkkisessä kaularangan traktioliitteessa on erittäin herkkä ja tarkka mittari. Pumpun ei tule vuotaa ”HOLD” (pito) -asennossa. Jos huomaat mittarilukeman laskevan ”HOLD” (pito) -asennossa, se johtuu todennäköisesti siitä, että olet rentoutunut tai liikkunut hieman. Mikäli näin tapahtuu, palaa ”PUMP” (pumppaus) -asentoon ja pumppaa laite takaisin haluttuun traktiovoimaan ja palaa sitten ”HOLD” (pito) -asentoon.

Saunders-merkkisen kaularangan traktioliitteen moitteeton toiminta edellyttää, ettei ilmajärjestelmässä ole vuotoja. Jos traktiovoimaa ei pystytä säilyttämään, järjestelmässä voi olla vuoto.

### ***Ongelman selvittämiseen liittyviä kysymyksiä:***

- Onko pumppu ”PUMP” (pumppaus)-asennossa pumppauksen aikana?
- Onko pumppu ”HOLD” (pito)-asennossa hoidon aikana?
- Makaanko liikkumatta? (Mikä tahansa liike voi aiheuttaa vaihteluita.)
- Pumppaatko hitaasti?
- Ovatko kaikki liitokset tiukkoja (esim. letkun suoja, linssin suoja, letkun liitokset sylinteriin)?

### **Jos laitteesta vuotaa ilmaa, yritä seuraavaa:**

- Tarkista ilmaletkun liitokset sylinterissä ja pumpussa ja kiristä niitä tarvittaessa varovasti. Älä kiristä liikaa, sillä kierteet voivat vaurioitua.
- Varmista, ettei laite ole mennyt täydelle teholle (10 cm [4"]).
- Suorita POP-testi. Kun laitteessa ei ole ketään, pumpppaa painetta, kunnes laitteesta kuuluu voimakas poksahtus (noin 22,6 kg [50 lbs]). Käännä mittari tämän jälkeen vapautusasentoon ja jatka hoitoa.

Jos sinulla on kysyttävää, soita valtuutetulle Empin traktiolaitteiden jälleenmyyjälle tai Empin asiakaspalvelunumeroon 1-800-862-2343.

## **Varaosat ja lisävarusteet**

Alla on luettelo varaosista ja lisävarusteista. Soita numeroon 1-800-328-2536 ja kysy lisätietoja ja hinnastoa.

### **KUVAUS**

Otsahihna ja tyynyt  
Käsipumpun vaihtosarja  
Kulmasäädin  
Kantolaukku  
Ohje-DVD  
Käyttöohje

### **OSANUMERO**

700723  
700472  
700724  
700725  
802968  
360365

## **Takuu**

### **I. Takuu**

Empi takaa, ettei Saunders-merkkisessä kaularangan traktiolaitteessa esiinny valmistus- tai materiaalivikoja yhteen vuoteen.

Empi korjaa tai korvaa vialliseksi havaitun tuotteen omissa tiloissaan. Takuu ei kata tuotteita, jotka ovat vioittuneet väärinkäytön seurauksena tai joita on korjannut tai muuttanut joku muu kuin Empi osoitteesaan Clear Lake, South-Dakota.

Tämä takuu korvaa kaikki muut ilmaistut tai konkludenttiset takuut. Kenelläkään ei ole oikeutta sitoa Empiä mihinkään muuhun kuin tässä erikseen mainittuun takuuseen.

HUOMAUTUS: Takuu on voimassa vuoden ostopäivästä lukien.

### **II. Vastuuvapautuslauseke**

A. Empin ainoa vastuu edellä kohdassa I esitettyjen takuuehtojen rikkoutuessa on oman harkintansa mukaan joko korjata laite tai vaihtaa se uuteen tai tehtaalla entistettyyn tuotteeseen ilman ostajalle

koituvia lisäkuluja tai palauttaa tuotteen ostohinta. Saadakseen korvauksen tämän takuun piirissä ostajan tulee ilmoittaa viasta kirjallisesti (vika tulee kuvailla mahdollisimman yksityiskohtaisesti) Empille ennen vakuutusajan päättymistä ja 30 päivän kuluessa vian havaitsemisesta. Empin kirjallisesta pyynnöstä ja valtuutuksella ostajan tulee palauttaa tuote Empille tarkastamista varten rahti- ja vakuutusmaksut maksettuina. Ilmoitus ja palautus tulee lähettää Empille osoitteeseen Clear Lake, 47492, HWY 22 Clear Lake, South Dakota. Ostaja voi pyytää lähetyksen hyväksyntää soittamalla Empin takuukorjauksen maksuttomaan numeroon 1-800-862-2343. Yhdysvaltojen ulkopuolella tapahtuvissa palautuksissa ja korjauksissa on otettava yhteyttä valtuutettuun Empi-jälleenmyyjään tai soitettava suoraan Empin numeroon 1-800-328-2536. Empi ei ole vastuussa heikosta pakkauksesta tai lähetyksestä johtuvista vioista. Jos Empi oman kohtuullisen harkintansa pohjalta päättää, että laitteessa on materiaali- tai valmistusvikoja, Empi palauttaa ostajalle viallisen laitteen ostohinnan, tai palauttaa korjatun laitteen tai sen korvaavan tuotteen ostajalle, joka vastaa rahti- ja vakuutusmaksuista, niin pian kuin on kohtuullisesti mahdollista sen jälkeen, kun Empi on vastaanottanut tuotteen. Jos Empi oman kohtuullisen harkintansa pohjalta päättää, ettei laitteessa ole materiaali- tai valmistusvikoja, Empi palauttaa laitteen ostajalle, joka vastaa rahti- ja vakuutusmaksuista.

B. Takuu ei kata laitetta, jota on muokannut tai korjannut muu kuin valtuutettu Empin työntekijä tai edustaja, eikä laitetta, jota on käytetty väärrään tarkoitukseen tai väärrällä tavalla, laiminlyöty tai joka on vaurioitunut kuljetuksen aikana tai onnettomuuden tai tuottamuksen seurauksena.

C. LUKUUN OTTAMATTA KOHTAA I TUOTE ON MYYTY SIINÄ TILASSA JA SELLAISENA KUIN SE ON, KAIKKI LISÄVARUSTEET MYYDÄÄN SIINÄ TILASSA JA SELLAISINA KUIN NE OVAT JA KAIKKI TUOTTEEN LAATUUN JA TOIMINTAAN LIITTYVÄT RISKIT OVAT OSTAJALLA. KOHDASSA I ESITETTY TAKUU ON TARKOITETTU YKSINOMAAN ENSIMMÄISEN OSTAJAN HYVÄKSI EIKÄ EMPI HYVÄKSY MITÄÄN MUITA ILMAISTUJA TAI KONKLUDENTTISIA TAKUITA, MUKAAN LUKIEN MUTTA NIIHIN RAJOITTUMATTA MITKÄ TAHANSA KONKLUDENTTITSET TAKUUT. JOS KONKLUDENTTISEN TAKUUN KATSOTAAN KUITENKIN OLEVAN OLEMASSA EDELLISESTÄ LAUSEESTA HUOLIMATTA, TAKUUN MUKAINEN EMPIÄ VELVOITTAVA AJANJAKSO RAJOITTUU ENSIMMÄISEN OSTAJAN ELINIKÄÄN. YHDELLÄKÄÄN EMPIN TYÖNTEKIJÄLLÄ TAI EDUSTAJALLA EI OLE OIKEUTTA SITOA EMPIÄ MIHINKÄÄN MUUHUN VAKUUTUKSEEN, ESITYKSEEN TAI TAKUUSEEN KUIN MITÄ TÄSSÄ TAKUUSSA ON KIRJALLISESTI ESITETTY.

(Tämä takuu antaa ostajalle erityisiä laillisia oikeuksia. Tämän lisäksi ostajalla voi olla myös muita maakohtaisia oikeuksia. Jotkin maat eivät salli rajoituksia konkludenttisen takuun kestolle, ja tämän vuoksi yllä mainitut rajoitukset eivät välttämättä koske kaikkia ostajia.)

D. EMPI EI OLE VASTUUSSA KENELLEKÄÄN LAITTEEN TAI SEN VIKOJEN, PUUTTEIDEN TAI TOIMINTAHÄIRIÖIDEN AIHEUTTAMISTA SUORISTA, EPÄSUORISTA, ERITYISISTÄ, SATUNNAISISTA TAI SEURANNAISVAHINGOISTA, MENETETYISTÄ VOITOISTA TAI SAIRAALAKULLUISTA; RIIPPUMATTA SIITÄ, MISSÄ MUODOSSA OIKEUDELLISET TAI EQUITY-OIKEUDELLISET TOIMET EMPIÄ VASTAAN KÄYDÄÄN (ESIM. SOPIMUS, LAIMINLYÖNTI TAI MIKÄ MUU TAHANSA), EDELLÄ KOHDASSA I ESITETYT OIKEUSKEINOT OVAT AINOAT OSTAJAN KÄYTETTÄVISSÄ OLEVAT OIKEUSKEINOT. EMPIN VASTUU EI MISSÄÄN TUOTETTA KOSKEVISSA KANTEISSA YLITÄ TUOTTEEN OSTOHINTAA. (Tämä takuu antaa ostajalle erityisiä laillisia oikeuksia. Tämän lisäksi ostajalla voi olla myös muita maakohtaisia oikeuksia. Jotkin maat eivät salli satunnaisten tai seurannaisvahinkojen poissulkemista tai rajoittamista, ja tämän vuoksi yllä mainitut rajoitukset eivät välttämättä koske kaikkia ostajia.)



*Saunders*<sup>®</sup>

## Servikal Traksiyon Kullanıcı Kılavuzu





# Servikal Traksiyon Kullanıcı Kılavuzu

## İçindekiler

Uyarılar ve Önlemler.....	134
Kullanım Amacı/Endikasyonlar.....	134
Kontrendikasyonlar.....	134
Başlamadan Önce .....	135
Bileşenler .....	135
Tedaviye Hazırlama.....	136
Traksiyon Uygulama.....	136-137
El Pompasının Çalıştırılması.....	137-138
Bakım ve Sorun Giderme.....	139-140
Yedek Parçalar ve Aksesuarlar.....	140
Garanti.....	140-141

Saunders Servikal Traksiyon aygıtını aldığınız için sizi tebrik ederiz.

Yeni Traksiyon aygıtınız servikal bölgeye (boyun) güvenli ve etkili traksiyon (germe) sağlamak üzere tasarlanmıştır. Saunders Servikal Traksiyon aygıtınızın montaj gerektirmez ve kutudan çıkarıldığı şekliyle kullanılabilir. Kullanımı hakkında sorunuz varsa veya herhangi bir sorunu bildirmek isterseniz, yetkili Empi Traksiyon Bayinizle veya 1-800-862-2343 numarasından Empi'yle temasa geçin.

*Devam etmeden önce bu talimatları tamamen okuyun.*

Bu aygıt aşağıdaki simgelerden birini veya daha fazlasını içerebilir:



Sadece Reçete İle



Kullanıcı Kılavuzu'na Başvurun



Dikkat



## Uyarılar ve Önlemler

**UYARI:** Bu aygıtın satışı bir doktor siparişi yoluyla veya aracılığıyla gerçekleştirilmek üzere kısıtlanmıştır. Sağlık hizmet görevlinizin verdiği talimatlara tamamen uyulmalıdır. Sağlık görevlinizin önerilerinin dışına çıkmayın. Bu önerilerin dışına çıkılması, var olan bir durumun kötüleşmesine veya yeni bir yaralanmaya neden olabilir. Traksiyon asla ağrıya neden olmamalıdır. Tedavi sırasında bir gerilme hissi veya hafif bir rahatsızlık hissedilebilir. Tedavi sırasında veya sonrasında boyunda, sırtta, bacaklarda veya kollarda ağrı artarsa veya baş dönmesi, mide bulantısı veya başka bir ağrı veya rahatsızlık hissedilirse, tedaviyi hemen durdurun ve bir daha kullanmadan önce sağlık görevlinize danışın.

## Kullanım Amacı/Endikasyonlar

Sağlık görevlinizin tavsiyesine bağlı olarak servikal traksiyon aşağıdaki sorunların tedavisinde kullanılabilir:

- osteoartrit (kireçlenme)
- kas kasilması
- baş ağrıları
- eklem sertliği
- fitikli diskler
- sinir kökü sıkışması

## Kontrendikasyonlar

Traksiyon aşağıdaki durumları tedavi etmek amacıyla kullanılmamalıdır:

- akut veya travmatik yaralanma
- romatoid artrit
- iskeletsel instabilite
- omurilik sıkışması
- kırık
- habis tümör
- enfeksiyonlar ve enflamatuvar hastalıklar
- hareketle kötüleşebilecek diğer herhangi bir durum



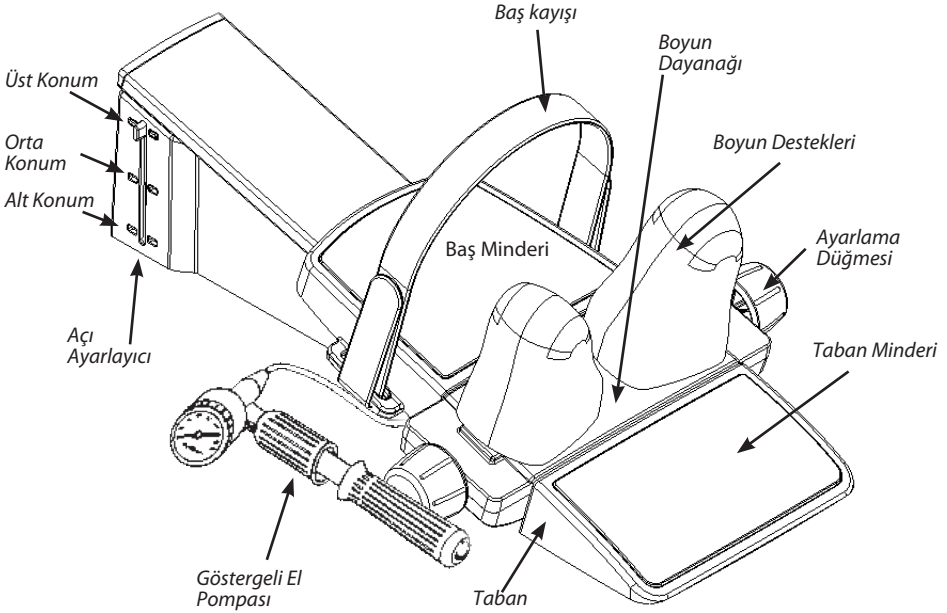
# Başlamadan Önce

Aşağıdaki konularla ilgili olarak sağlık hizmeti görevlinizden edindiğiniz yönergeleri gözden geçirin:

- gereken traksiyon miktarı (asla acıtacak kadar olmamalı)
- her tedavinin süresi
- aralıklı traksiyon tavsiye edildiyse germe ve gevşetme süreleri
- hafta veya gün başına tavsiye edilen tedavi sayısı
- çekme açısı

Küpe, mücevher ve boyun etrafındaki diğer giysileri çıkarın. Kravat, atkı, şapka, kalın gömlek yakaları veya kazaklar gibi giyecekler tedaviye engel olabileceğinden çıkarılmalıdır. Saçınız uzunsa, başınızın doğru konumda yerleştirilmesini engelleyeceğinden, örgü veya topuz şeklinde ensenizde toplanmamalıdır.

## Bileşenler



Şekil 1. Saunders Servikal Traksiyon Aygıtının Bileşenleri

## Tedaviye Hazırlama

1. Saunders Servikal Traksiyon aygıtını halı bulunan bir yüzeye veya diğer sağlam bir sathiye yerleştirin. Hava hortumunun, ünitenin alt kısmı tarafından sıkıştırılmadığından emin olun. Rahat bir konumda yatacak kadar yeriniz bulunduğundan emin olun.
2. Boynunuzu destekler arasına rahatlıkla girecek şekilde yerleştirmek için siyah ayarlama düğmelerini çevirerek boyun desteklerini ayırın. Saunders Servikal Traksiyon aygıtının içine yattıktan sonra ek ayarlamalar yapabilirsiniz. **NOT:** Ayarlama düğmelerini fazla çevirmeyin. Bu, dahili çarkın aşınmasına neden olabilir.
3. Ayarlanabilen baş kayışını gevşetin.
4. Aygıtın başlangıç konumunda olduğunu denetleyin - boyun dayanağı tabana dokunuyor olmalı. Dokunmuyorsa gösterge yuvasını "RELEASE" (Serbest) konumuna getirin.
5. Sağlık hizmeti görevlinizin öngördüğü açığı elde etmek için Açık Ayarlayıcının her iki tarafındaki çıkıntıları sıkıştırıp kaydırarak yerine oturmasını sağlayın.

*Açık Ayarlayıcı Konumları:* Üst = 15 derece, Orta = 20 derece, Alt = 25 derece

**NOT:** Sağlık hizmeti görevliniz germe açısını belirtmezse, Açık Ayarlayıcıyı gösterildiği gibi üst konumda tutun (Şekil 1.)

6. Pompayı tedavi sırasında erişebileceğiniz bir yere koyun.
7. Tedavi süresini belirlemek için bir kronometre kurun (kronometre Saunders Servikal Traksiyon aygıtı ile birlikte gelmez.)

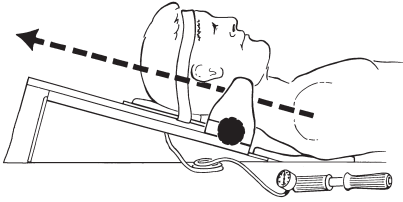
Artık Saunders Servikal Traksiyon aygıtını kullanmaya hazırsınız.

## Traksiyon Uygulama

1. Sırt üstü yatın, vücudunuzu, boyun destekleri boynunuzu ortasından veya en ince yerinden tutacak ve başınız baş minderleri üzerinde duracak

şekilde konumlandırın (Bkz Şekil 2.) Boyun destekleri boynunuza kulak memelerinizin ucuyla omuzlarınızın arasında tam ortaya gelecek şekilde temas etmelidir.

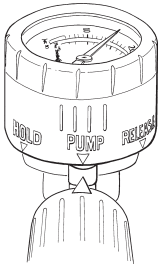
2. Ayarlama düğmelerinin birini veya ikisini, destekler boynun iki tarafında da sağlam biçimde yerleşene kadar çevirin.
3. Saunders Servikal Traksiyon aygıtına yerleşirken boyun destekleri hafifçe dönerek başınızın ve boynunuzun şekline göre kendilerini ayarlayabilir veya en rahat pozisyonu elde etmek için bu ayarlamayı siz elinizle destekleri çevirerek gerçekleştirebilirsiniz.
4. Baş kayışını alnınıza, kaşlarınızın hemen üstüne yerleştirin. Kayış güvenli bir biçimde oturmalıdır.
5. Bir sonraki bölümde anlatıldığı şekilde pompayı kullanarak traksiyon uygulayın.



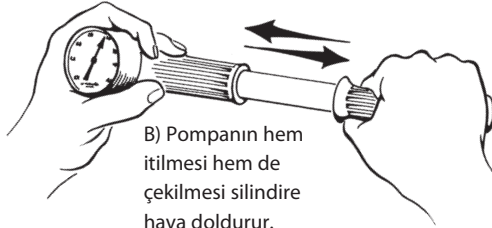
Şekil 2. Saunders Servikal Traksiyon Aygıtının Kullanımı

## El Pompasının Çalıştırılması

Saunders Servikal Traksiyon aygıtınıza güvenli ve rahat bir şekilde yerleştiğinizde el pompasını kullanarak bir silindire hava pompalayarak traksiyon uygulayacaksınız (Şekil 3.)



A) Gösterge Yuvasının yakından görünümü.



B) Pompanın hem itilmesi hem de çekilmesi silindire hava doldurur.

Şekil 3. El pompasının çalıştırılması

El pompasının gösterge yuvasını "PUMP" (Pompala) konumuna çevirin. Pompa kolunu iyice içeri ve tamamen dışarı hareket ettirerek silindire YAVAŞÇA hava pompalayın. Göstergeden, sağlık hizmet görevlinizin verdiği yönergeler içinde kaldığınızı kontrol edin. İstenen germe miktarına erişildiğinde , gösterge yuvasını "HOLD" (Tut) konumuna getirin. Sağlık hizmet görevlinizin talimatına uygun olarak tedavinizin süresini şimdi ölçmeye başlayın.



**DİKKAT:** Sağlık hizmet görevlinizin öngördüğü germe seviyesini aşmayın. Traksiyonun sağladığı germe hiçbir zaman ağrıya neden olmamalıdır. Rahatlayın. . . bırakın, işi traksiyon aygıtı yapsın.

Tedavi tamamlandığında gösterge yuvasını "RELEASE" (Serbest) konumuna getirerek traksiyonu serbest bırakın.



**DİKKAT:** Parmaklarınızı boyun dayanağı ile taban arasındaki aralıktan uzak tutun.

Baş kayışını açın. Traksiyon aygıtından çıkmadan önce birkaç dakika dinlenip gevşemeli, ardından başınızı birkaç kere yukarı aşağı ve sağdan sola hafifçe hareket ettirmelisiniz.

**NOT:** Tedaviniz sırasında omurganız gevşediği için basıncın az miktarda (%10) düşmesi normaldir. Bu meydana geldiğinde ek hava ekleyerek öngörülen kuvvete erişin. Çok fazla traksiyon vererseniz, gösterge yuvasını "RELEASE" (Serbest) konumuna çevirerek sistemden biraz hava çıkmasını sağlayın.

### El Pompası Çalıştırılmasının Özeti

1. "HOLD" (Tut) - traksiyon kuvvetini istenen seviyede tutar.
2. "PUMP" (Pompala) - silindiri havayla doldurarak traksiyon kuvvetini artırır.
3. "RELEASE" (Serbest) - tedavi sırasında veya sonrasında silindirden hava çıkartır.

# Bakım ve Sorun Giderme

## Bakım

Saunders Servikal Traksiyon aygıtınızın bakıma gereksinimi olduğunu düşünüyorsanız, yetkili Empi Traksiyon Bayinizle veya 1-800-862-2343 numarasından Empi'yle temasa geçin.

## Temizleme

Saunders Servikal Traksiyon aygıtınızın tüm satırları hafif bir temizlik maddesi veya dezenfektanla temizlenebilir. Suya batırmayın. Ünite değişik kullanıcılar tarafından kullanılıyorsa tüm satırlar standart temizleme yöntemleriyle temizlenmeli, vücuda değen bileşenlere özellikle dikkat edilmelidir; yeni bir baş kayışı kullanılmasını tavsiye ederiz.

## Saklama

Saunders Servikal Traksiyon aygıtınız kendi koruyucu kutusu içinde saklanmalıdır.

## Sorun Giderme

Saunders Servikal Traksiyon aygıtı çok kesin ve duyarlı bir gösterge içerir. Pompa, "HOLD" (Tut) pozisyonundayken sızıntı yapmaması için özellikle tasarlanmıştır. "HOLD" (Tut) pozisyonundayken göstergede bir düşüş fark ederseniz bunun sebebi büyük ihtimalle hafif gevşemiş veya hareket etmiş olmanızdır. Bu durumda "PUMP" (Pompala) konumuna geri dönün ve istenen kuvvete erişildiğinde yeniden "HOLD" (Tut) konumuna ayarlayın.

Saunders Servikal Traksiyon aygıtının doğru çalışması hava sisteminin neredeyse tamamen sızıntısız olmasını gerektirir. Germe kuvveti aynı derecede tutulmuyorsa, sistemin bir yerinde sızıntı olabilir.

## Sorulacak Sorular:

- Pompa pompalanırken "PUMP" konumunda mı?
- Pompa tedavi sürecinde "HOLD" konumunda mı?
- Hareketsiz yatıyor musunuz? (Herhangi bir hareket dalgalanmaya neden olur.)
- Pompalama işlemini yavaş mı yapıyorsunuz?
- Tüm bağlantılar (hortum kapağı, lens kapağı, silindirde iyi hortum bağlantısı) sıkı mı?

### **Ünite hava sızdırıyorsa aşağıdakileri deneyin:**

- Silindir ve pompadaki hava borusu bağlantılarını kontrol edin ve gerekirse hafifçe sıkıştırın. Fazla sıkıştırmayın, yivler aşınabilir.
- Ünitenin kayıp tam ekskürsiyona girmediğinden emin olun (10 cm [4"]).
- PAT testi gerçekleştirin. Üniteye kimse yokken basıncı yükselterek ünitenin yüksek bir pat sesi çıkarmasını bekleyin (22,6 kg [50 lbs]), arkasından göstergelyi "RELEASE" (Serbest) konumuna çevirin ve tedavinize devam edin.

Herhangi bir sorunuz varsa yetkili Empi Traksiyon Bayinizle veya 1-800-862-2343 numarasından Empi Müşteri Hizmetleri'yle temasa geçin.

## **Yedek Parçalar ve Aksesuarlar**

Aşağıda yedek parçaların ve aksesuarların bir listesi bulunmaktadır. Ayrıntılar ve fiyatlar için lütfen 1-800-328-2536 numaralı telefonu arayın.

### **AÇIKLAMA**

Baş kayışı ve Minderler

El Pompası Değişirme Kiti

Açı Ayarlayıcı

Taşıma Çantası

Eğitsel DVD

Kullanıcı Kılavuzu

### **PARÇA NUMARASI**

700723

700472

700724

700725

802968

360365

## **Garanti**

### **I. Garanti**

Empi, Saunders Servikal Traksiyon aygıtının işçilik ve materyaller açısından bir yılığına kusursuz olduğunu garantiler.

Empi, hatalı bulunan herhangi bir ürünü kendi fabrikasında tamir edecek veya yenisini tedarik edecektir. Bu garanti yanlış kullanım sonucu zarar gören veya Clear Lake, South Dakota'daki Empi dışında herhangi biri tarafından tamir edilen veya değiştirilen ürünleri kapsamaz.

Bu garanti açık veya zımnı tüm diğer garantilerin yerine geçer. Hiç kimsenin, Empi'yi burada özellikle belirtilenler dışındaki herhangi bir garantinin temsiline bağlama yetkisi yoktur.

NOT: Garanti süresi üreticiden satın alındığı tarihten itibaren bir senedir.

### **II. Yükümlülük Sınırları ve Garanti Feragati**

A. Empi'nin yukarıda Paragraf I'de belirtilen garantileri herhangi bir şekilde ihlali durumunda tek yükümlülüğü Empi'nin seçeneğıyle, Satın Alan taraftan ücret talep etmeden tamir etme veya yeni

veya fabrika tarafından düzeltilmiş bir ürünle değiştirmek veya Ürünün satın alma ücretini iade etmektir. Bu Garanti dahilinde tazmin etmek için Satın Alan taraf, Empi'ye kusuru yazılı olarak (sorunu makul derecede ayrıntılı anlatarak), Garanti Süresi'nin dolmasından önce ve hasar fark edildikten sonra 30 gün içinde bildirmelidir. Empi'nin yazılı ricası ve onayından sonra Satın Alan taraf Ürünü tetkik için, nakliye ve sigortası ödenmiş olarak, Empi'ye geri gönderecektir. Bildirim ve geri nakliye Empi'ye Clear Lake, 47492, HWY 22 Clear Lake, South Dakota adresine gönderilecektir. Satın Alan taraf nakliye onayını almak için Empi Garanti Tamir Bölümü'nü ücretsiz olarak 1-800-862-2343 numarasından arayabilir. Kuzey Amerika dışındaki tamirler veya geri göndermeler için Yetkili Empi Satıcınızla veya 1-800-328-2536 numarasından doğrudan Empi ile temasa geçin. Empi yanlış paketleme veya nakliye nedeniyle meydana gelebilecek hasardan sorumlu değildir. Empi sadece kendi makul takdirine dayanarak Ürünün kusurlu işçilik veya materyal içerdiğine karar verir. Empi, Ürünün Empi tarafından alınmasından sonra makul bir süre içinde Satın Alan tarafa hasarlı ürünün ücretini geri verecektir veya tamir edilmiş Ürünü veya yenisini Satın Alan tarafa, nakliye ve sigorta Satın Alan tarafa makbuzlanarak, geri gönderecektir. Empi sadece kendi makul takdirine dayanarak Ürünün kusurlu işçilik veya materyal içermediğine karar verir. Empi Ürünü Satın Alan tarafa, nakliye ve sigorta Satın Alan tarafa makbuzlanarak, geri gönderecektir.

B. Bu garanti, Empi yetkili çalışanları veya yetkili vekili dışında herhangi biri tarafından tamir edilen veya değiştirilen veya yanlış kullanıma, kötü kullanıma, ihmale, nakledilirken hasara, kazaya veya itinasızlığa maruz kalan herhangi bir Ürün durumunda geçerliliğini hemen yitirir.

C. PARAGRAF I'DE BELİRTİLENİN DIŞINDA, ÜRÜN OLDUĞU GİBİ ("OLDUĞU GİBİ") BAZINDA SATILIR, TÜM AKSESUARLAR "OLDUĞU GİBİ" BAZINDADIR VE ÜRÜNÜN KALİTESİ VE PERFORMANSINA DAİR TÜM RİSKLER SATIN ALAN TARAFINA AİTTİR. PARAGRAF I'DE BELİRTİLEN GARANTİ YALNIZCA ÜRÜNÜ İLK SATIN ALAN KİŞİNİN YARARLANMASI İÇİN TASARLANMIŞ OLUP, EMPI AÇIK VEYA ZİMNİ TÜM DİĞER GARANTİLERİ REDDEDER, ANCAK ÖNCEKİ HÜKÜMLERE BAKILMAKSIZIN, ZİMNİ BİR GARANTİNİN VAR OLDUĞUNA KARAR VERİLDİĞİNDE EMPI TARAFINDAN PERFORMANS SÜRESİ İLK SATIN ALAN TARAFIN YAŞAM SÜRESİYLE KISITLIDIR. EMPI'NİN HİÇBİR ÇALIŞANININ, TEMSİLCİSİNİN VEYA ACENTASININ EMPI'Yİ BU YAZILI GARANTİ POLİÇESİ DIŞINDA HERHANGİ BİR GEÇERLİLİK TANIMA, VEKALET VEYA GARANTİYE BAĞLAMA YETKİSİ YOKTUR.

(Bu garanti Satın Alan tarafa belirli yasal haklar verir ve Satın Alan tarafın ülkeden ülkeye değişebilecek hakları olabilir. Bazı ülkeler zimni garantinin ne kadar süreyle geçerli olduğu konusunda sınırlamalara izin vermezler, bu durumda yukarıdaki sınırlama Satın Alan tarafa uygulanamayabilir.)

D. EMPI, HERHANGİ BİR KİMSEYE KARŞI, KENDİSİNE KARŞI GETİRİLEN YASAL VEYA ADLİ ADIMLARIN ŞEKLİNE BAKMADAN (ÖR. KONTRAT, İHMAL VEYA BENZERİ), ÜRÜNÜN HATA, ARIZA BOZUKLUK VEYA BENZERİ DURUMUNUN SEBEP OLDUĞU DOĞRUDAN, DOLAYLI, ARIZI VEYA SONUÇSAL ZARARLARDAN, KAYBEDİLEN KARDAN VEYA TIBBİ MASRAFTAN YÜKÜMLÜ OLMAYACAKTIR. PARAGRAF I'DE VERİLEN ÇÖZÜM, SATIN ALAN TARAFIN TEK HAKKI OLACAKTIR. EMPI'NİN ÜRÜNLE İLGİLİ HERHANGİ BİR HUKUKİ ADIMDAN DOĞAN YÜKÜMLÜLÜĞÜ HİÇBİR DURUMDA ÜRÜNÜN FİYATINI AŞMAYACAKTIR.

(Bu garanti Satın Alan tarafa belirli yasal haklar verir ve Satın Alan tarafın ülkeden ülkeye değişebilecek hakları olabilir. Bazı ülkeler arızı ve sonuçsal zararların sınırlanmasına izin vermezler, bu durumda yukarıdaki sınırlama Satın Alan tarafa uygulanamayabilir.)





# Saunders®

## Οδηγίες χρήσης για την αυχενική έλξη





# Οδηγίες χρήσης για την αυχενική έλξη

## Πίνακας περιεχομένων

Προειδοποιήσεις και προφυλάξεις .....	146
Ενδείξεις χρήσης .....	146
Αντενδείξεις χρήσης .....	146
Προτού ξεκινήσετε .....	147
Εξαρτήματα .....	147
Προετοιμασία για θεραπεία .....	148
Εφαρμογή έλξης.....	148-149
Λειτουργία της αντλίας χειρός .....	149-150
Συντήρηση και αντιμετώπιση προβλημάτων .....	151-152
Ανταλλακτικά και παρελκόμενα.....	152
Εγγύηση .....	152-153

---

Συγχαρητήρια για την αγορά μιας συσκευής αυχενικής έλξης της Saunders.

Η νέα σας συσκευή αυχενικής έλξης έχει σχεδιαστεί για την ασφαλή και αποτελεσματική έλξη (διάταση) της περιοχής του αυχένα (τράχηλος). Η συσκευή αυχενικής έλξης της Saunders που διαθέτετε δεν απαιτεί συναρμολόγηση και είναι έτοιμη για χρήση μετά από την αποσυσκευασία της. Εάν έχετε απορίες σχετικά με τη χρήση της ή εάν θέλετε να αναφέρετε οποιοδήποτε πρόβλημα, επικοινωνήστε με τον εξουσιοδοτημένο αντιπρόσωπο προϊόντων έλξης της Emprí ή με την Emprí στον αριθμό τηλεφώνου 1-800-862-2343.

*Διαβάστε όλες τις παρακάτω οδηγίες προτού προχωρήσετε.*

Αυτή η συσκευή μπορεί να φέρει ένα από ή όλα τα παρακάτω σύμβολα:



Χορηγείται αποκλειστικά με ιατρική συνταγή



Ανατρέξτε στις οδηγίες χρήσης



Προσοχή





**ΠΡΟΕΙΔΟΠΟΙΗΣΗ:** Η πώληση της συσκευής αυτής σε μεμονωμένα άτομα επιτρέπεται μόνον από ιατρούς ή κατόπιν εντολής ιατρού. Θα πρέπει να ακολουθούνται επακριβώς οι οδηγίες που σας παρασχέθηκαν από τον επαγγελματία υγείας που σας παρακολουθεί. Μην υπερβαίνετε τις συστάσεις του επαγγελματία υγείας που σας παρακολουθεί. Εάν υπερβείτε αυτές τις συστάσεις μπορεί να επιδεινώσετε μια υπάρχουσα κατάσταση ή να προκαλέσετε πρόσθετο τραυματισμό. Η τάση δεν θα πρέπει σε καμία περίπτωση να προκαλεί πόνο. Μπορεί να αισθανθείτε μια αίσθηση διάτασης ή κάποια ήπια δυσφορία κατά τη διάρκεια της θεραπείας. Εάν αυξηθεί ο πόνος στον αυχένα, στην πλάτη, στα χέρια ή στα πόδια, ή εάν αισθανθείτε ζάλη, ναυτία ή άλλου τύπου πόνο ή δυσφορία κατά τη διάρκεια ή μετά από τη θεραπεία, διακόψτε αμέσως τη χρήση και συμβουλευθείτε τον επαγγελματία υγείας που σας παρακολουθεί πριν από τυχόν περαιτέρω χρήση.

## Ενδείξεις χρήσης

Ανάλογα με τη συμβουλή του επαγγελματία υγείας που σας παρακολουθεί, η αυχενική έλξη μπορεί να χρησιμοποιηθεί για τη θεραπεία των παρακάτω παθήσεων:

- οστεοαρθρίτιδα
- μυϊκό πιάσιμο
- πονοκέφαλοι
- δυσκαμψία αρθρώσεων
- κήλες δίσκων
- συμπίεση νευρικών ριζών

## Αντενδείξεις χρήσης

Δεν θα πρέπει να χρησιμοποιείται έλξη για την αντιμετώπιση των παρακάτω καταστάσεων:

- οξεία ή τραυματική κάκωση
- ρευματοειδής αρθρίτιδα
- αστάθεια της σπονδυλικής στήλης
- συμπίεση του νωτιαίου μυελού
- κάταγμα
- κακοήθεια
- λοιμώδεις και φλεγμονώδεις νόσοι
- οποιαδήποτε άλλη πάθηση που μπορεί να επιδεινωθεί από την κίνηση

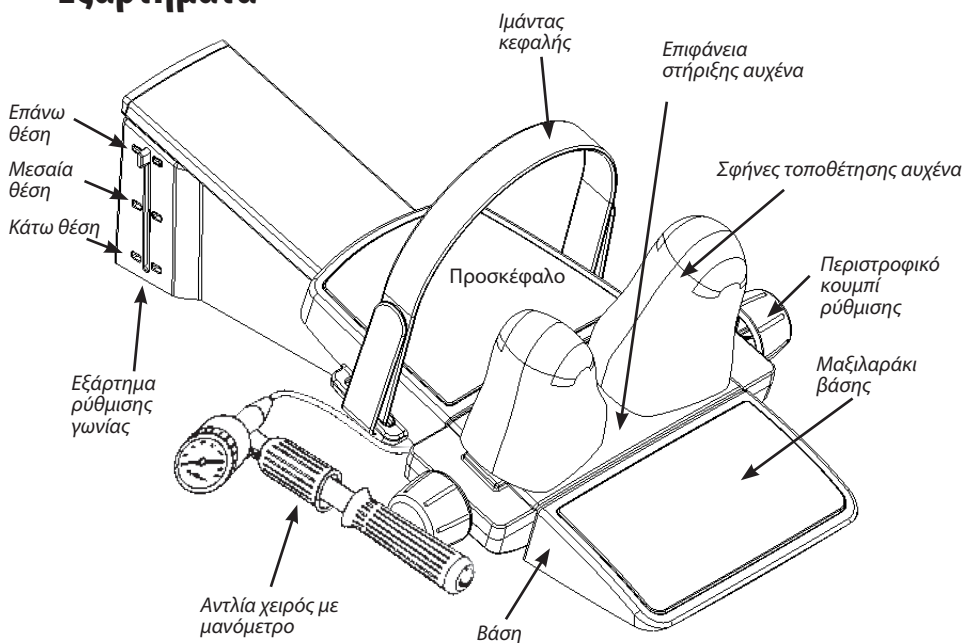
## Προτού ξεκινήσετε

Μελετήστε τις κατευθυντήριες οδηγίες που λάβατε από τον επαγγελματία υγείας που σας παρακολουθεί σχετικά με:

- το συνιστώμενο βαθμό έλξης (ποτέ να μην είναι τόσο ισχυρή ώστε να σας πονά)
- τη διάρκεια (χρονικό διάστημα) κάθε θεραπείας
- τους χρόνους παραμονής και χαλάρωσης εάν συνιστάται διαλείπουσα έλξη
- το συνιστώμενο αριθμό θεραπειών ανά εβδομάδα ή ανά ημέρα
- τη γωνία έλξης

Αφαιρέστε τα σκουλαρίκια και οποιοδήποτε άλλο κόσμημα ή κολιέ. Θα πρέπει να αφαιρούνται αξεσουάρ ένδυσης, όπως γραβάτες, φουλάρια, καπέλα και μεγάλα κολάρια πουκαμίσων ή πουλόβερ, καθώς μπορεί να παρεμποδίσουν τη θεραπεία. Εάν έχετε μακριά μαλλιά θα πρέπει να τα μαζέψετε πίσω από το κεφάλι σας, ως πλεξούδα ή κότσο, καθώς αυτά δεν θα επιτρέπουν στο κεφάλι σας να αναπαυτεί στη σωστή θέση.

## Εξαρτήματα



Εικόνα 1. Εξαρτήματα της συσκευής αυχενικής έλξης της Saunders

## Προετοιμασία για θεραπεία

1. Τοποθετήστε τη συσκευή αυχενικής έλξης της Saunders σε δάπεδο στρωμένο με χαλί ή σε άλλη σταθερή επιφάνεια. Βεβαιωθείτε ότι ο εύκαμπτος σωλήνας αέρα δεν πιέζεται από το κάτω μέρος της μονάδας. Βεβαιωθείτε ότι έχετε αρκετό χώρο για να ξεπλώσετε σε άνετη θέση.
2. Διαχωρίστε τις σφήνες τοποθέτησης αυχένα περιστρέφοντας οποιοδήποτε από τα δύο μαύρα περιστροφικά κουμπιά ρύθμισης ώστε να εφαρμόσει εύκολα ο αυχένας σας ανάμεσα στις σφήνες. Μπορείτε να κάνετε πρόσθετες ρυθμίσεις αφού ξεπλώσετε ανάσκελα στη συσκευή αυχενικής έλξης της Saunders. **ΣΗΜΕΙΩΣΗ:** Μην περιστρέφετε υπερβολικά τα περιστροφικά κουμπιά ρύθμισης. Αυτή η ενέργεια θα προκαλέσει την αποσυναρμολόγηση του εσωτερικού γραναζιού.
3. Χαλαρώστε το ρυθμιζόμενο ιμάντα κεφαλής.
4. Βεβαιωθείτε ότι η συσκευή βρίσκεται στη θέση έναρξης - η επιφάνεια στήριξης αυχένα δεν θα πρέπει να ακουμπά στη βάση. Εάν την ακουμπά, περιστρέψτε το περίβλημα του μανομέτρου προς τη θέση "RELEASE" (Εκτόνωση).
5. Ρυθμίστε τη γωνία έλξης που σας έχει συσταθεί από τον επαγγελματία υγείας που σας παρακολουθεί πιέζοντας και σύροντας τις γλωττίδες και στις δύο πλευρές του εξαρτήματος ρύθμισης γωνίας μέχρι να ασφαλίσει στη θέση του.

Θέσεις εξαρτήματος ρύθμισης γωνίας: Επάνω θέση = 15 μοίρες, μεσαία θέση = 20 μοίρες, κάτω θέση = 25 μοίρες

**ΣΗΜΕΙΩΣΗ:** Εάν ο επαγγελματίας υγείας που σας παρακολουθεί δεν έχει προσδιορίσει γωνία έλξης, αφήστε το εξάρτημα ρύθμισης γωνίας στην επάνω θέση όπως φαίνεται (στην εικόνα 1).

6. Τοποθετήστε την αντλία σε τέτοια θέση ώστε να μπορείτε να τη φθάνετε κατά τη διάρκεια της θεραπείας.
7. Ρυθμίστε το χρονόμετρο για τη διάρκεια της θεραπείας (δεν περιλαμβάνεται με τη συσκευή αυχενικής έλξης της Saunders που διαθέτετε.)

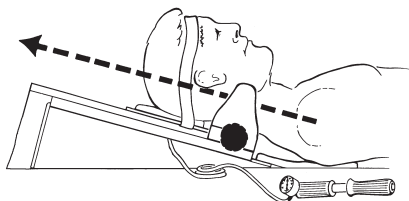
Είστε πλέον έτοιμοι να χρησιμοποιήσετε τη συσκευή αυχενικής έλξης της Saunders.

## Εφαρμογή έλξης

1. Ξεπλώστε ανάσκελα, τοποθετώντας το σώμα σας με τέτοιο τρόπο ώστε το μέσο ή το στενότερο τμήμα του αυχένα σας να βρίσκεται εντός των σφηνών αυχένα και το κεφάλι σας να ακουμπά άνετα στο προσκέφαλο (βλ. εικόνα 2).

Οι σφήνες τοποθέτησης αυχένα θα πρέπει να έρχονται σε επαφή με τον αυχένα στο μέσον μεταξύ των άκρων των λοβών των αυτιών σας και του επάνω μέρους των ώμων σας.

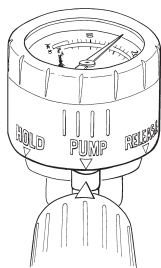
2. Περιστρέψτε οποιοδήποτε από τα δύο περιστροφικά κουμπιά ρύθμισης μέχρι οι σφήνες να ακουμπήσουν σταθερά και στις δύο πλευρές του αυχένα.
3. Καθώς βολεύεστε στη συσκευή αυχενικής έλξης της Saunders, οι σφήνες αυχένα μπορεί να περιστραφούν ελαφρά και να αυτοπροσαρμοστούν στο περίγραμμα της κεφαλής και του αυχένα σας ή μπορείτε να περιστρέψετε με το χέρι σας τις σφήνες όσο χρειάζεται για να επιτύχετε πιο άνετη εφαρμογή.
4. Ασφαλίστε τον ιμάντα κεφαλής στο μέτωπό σας, λίγο επάνω από τη γραμμή των φρυδιών. Αυτός ο ιμάντας θα πρέπει να εφαρμόζει καλά.
5. Εφαρμόστε έλξη χρησιμοποιώντας την αντλία με τον τρόπο που περιγράφηκε στην προηγούμενη ενότητα.



Εικόνα 2. Χρήση της συσκευής αυχενικής έλξης της Saunders

## Λειτουργία της αντλίας χειρός

Μόλις είστε σε ασφαλή και άνετη θέση στη συσκευή αυχενικής έλξης της Saunders που διαθέτετε, θα εφαρμόσετε έλξη αντλώντας αέρα μέσα σε έναν κύλινδρο με χρήση μιας αντλίας χειρός (Εικόνα 3.)



A) Κοντινή εικόνα του περιβλήματος του μανόμετρου.



B) Τόσο η κίνηση της αντλίας προς τα μέσα όσο και η κίνηση της αντλίας προς τα έξω πληρώνουν τον κύλινδρο με αέρα.

Εικόνα 3. Λειτουργία της αντλίας χειρός

Περιστρέψτε το περίβλημα του μανομέτρου της αντλίας χειρός στη θέση "PUMP" (Αντληση). Ξεκινήστε την εμφύσηση αέρα ΑΡΓΑ μέσα στον κύλινδρο πιέζοντας το έμβολο της αντλίας μέσα-έξω καθ' όλο το μήκος της διαδρομής. Παρατηρήστε το μανόμετρο για να βεβαιωθείτε ότι βρίσκεστε εντός των οδηγιών που σας έδωσε ο επαγγελματίας υγείας που σας παρακολουθεί. Όταν φτάσετε στην επιθυμητή τιμή διάτασης, περιστρέψτε το περίβλημα του μανομέτρου στη θέση "HOLD" (Διατήρηση). Ξεκινήστε τώρα τη χρονομέτρηση της θεραπείας σας, ακολουθώντας τις οδηγίες του επαγγελματία υγείας που σας παρακολουθεί.



**ΠΡΟΣΟΧΗ:** Μην υπερβαίνετε το επίπεδο έλξης που σας έχει συστήσει ο επαγγελματίας υγείας που σας παρακολουθεί. Η διάταση που παρέχεται δεν θα πρέπει σε καμία περίπτωση να προκαλεί πόνο. Χαλαρώστε . . . και αφήστε τη συσκευή έλξης να κάνει τη δουλειά της.

Όταν ολοκληρωθεί η θεραπεία, εκτονώστε την έλξη περιστρέφοντας το περίβλημα του μανομέτρου στη θέση "RELEASE" (Εκτόνωση).



**ΠΡΟΣΟΧΗ:** Κρατήστε τα δάκτυλά σας μακριά από το κενό που υπάρχει ανάμεσα στην επιφάνεια στήριξης αυχένα και στη βάση.

Λύστε τον ιμάντα κεφαλής. Θα πρέπει να ξαπλώσετε και να χαλαρώσετε για λίγα λεπτά. Μετά, κινήστε ελαφρά το κεφάλι σας επάνω-κάτω και δεξιά-αριστερά μερικές φορές προτού βγείτε από τη συσκευή έλξης.

**ΣΗΜΕΙΩΣΗ:** Στη διάρκεια της θεραπείας σας είναι φυσιολογική η μικρή απώλεια πίεσης (κατά 10%) λόγω της χαλάρωσης της σπονδυλικής σας στήλης. Όταν συμβεί αυτό, προσθέστε επιπλέον αέρα για να επαναφέρετε την ισχύ στο επίπεδο που σας έχει συσταθεί. Εάν εφαρμόσετε πολύ έντονη έλξη, περιστρέψτε το περίβλημα του μανομέτρου στη θέση "RELEASE" (Εκτόνωση) για να αφαιρέσετε κάποια ποσότητα αέρα από το σύστημα.

### **Ανασκόπηση λειτουργίας της αντλίας χειρός**

1. "HOLD" (Διατήρηση) - διατηρεί την ισχύ της έλξης στο επιθυμητό επίπεδο.
2. "PUMP" (Αντληση) - πληρώνει τον κύλινδρο με αέρα, αυξάνοντας την ισχύ έλξης.
3. "RELEASE" (Εκτόνωση) - αφαιρεί αέρα από τον κύλινδρο κατά τη διάρκεια της θεραπείας ή μετά από αυτήν, καθώς και πριν από τη χρήση.



# Συντήρηση και αντιμετώπιση προβλημάτων

## Συντήρηση

Εάν πιστεύετε ότι η συσκευή αυχενικής έλξης της Saunders που διαθέτετε χρειάζεται συντήρηση, επικοινωνήστε με τον εξουσιοδοτημένο αντιπρόσωπο προϊόντων έλξης της Emprí ή με την Emprí στον αριθμό τηλεφώνου 1-800-862-2343.

## Καθαρισμός

Όλες οι επιφάνειες της συσκευής αυχενικής έλξης της Saunders που διαθέτετε είναι δυνατόν να καθαριστούν με ήπιο απορρυπαντικό ή απολυμαντικό. Μην εμβαπτίζετε τη μονάδα σε νερό. Εάν η μονάδα χρησιμοποιείται από διαφορετικούς χρήστες, θα πρέπει να καθαρίζονται όλες οι επιφάνειες με χρήση τυπικών τεχνικών καθαρισμού, δίνοντας ιδιαίτερη προσοχή σε εξαρτήματα που έρχονται σε επαφή με το σώμα. Συνιστάται η χρήση νέου ιμάντα κεφαλής.

## Φύλαξη

Η συσκευή αυχενικής έλξης της Saunders που διαθέτετε θα πρέπει να φυλάσσεται στην προστατευτική της θήκη.

## Αντιμετώπιση προβλημάτων

Η συσκευή αυχενικής έλξης της Saunders διαθέτει πολύ ακριβές και ευαίσθητο μανόμετρο. Η αντλία έχει σχεδιαστεί ειδικά ώστε να μην παρουσιάζει διαρροές στη θέση "HOLD" (Διατήρηση). Εάν παρατηρήσετε πτώση της ένδειξης του μανομέτρου όταν βρίσκεται στη θέση "HOLD" (Διατήρηση) ενδέχεται να οφείλεται στο γεγονός τυχόν χαλάρωσης ή ελαφράς κίνησής σας. Εάν συμβεί κάτι τέτοιο, επαναφέρετε την αντλία στη θέση "PUMP" (Αντληση) και αποκαταστήστε με την αντλία την επιθυμητή ισχύ. Κατόπιν, επαναφέρετε την αντλία στη θέση "HOLD" (Διατήρηση).

Για τη σωστή λειτουργία της συσκευής αυχενικής έλξης της Saunders το σύστημα αέρα απαιτείται να μην παρουσιάζει σχεδόν καθόλου διαρροές. Εάν δεν μπορεί να διατηρηθεί η ισχύς έλξης, μπορεί να υπάρχει διαρροή σε κάποιο σημείο του συστήματος.

### **Ερωτήσεις που πρέπει να κάνετε:**

- Βρίσκεται η αντλία στη θέση "PUMP" (Αντληση) κατά την άντληση;
- Βρίσκεται η αντλία στη θέση "HOLD" (Διατήρηση) κατά τη λήψη θεραπείας;
- Κάθεστε ακίνητος; (Οποιαδήποτε κίνηση θα προκαλέσει διακυμάνσεις).
- Λειτουργείτε την αντλία με αργές κινήσεις;
- Είναι σφιχτές όλες οι συνδέσεις (δηλαδή πώμα εύκαμπτου σωλήνα, κάλυμμα θυρίδας, καλή σύνδεση εύκαμπτου σωλήνα στον κύλινδρο);

### **Εάν υπάρχει διαρροή αέρα στη μονάδα, δοκιμάστε τα ακόλουθα:**

- Ελέγξτε τις συνδέσεις του εύκαμπτου σωλήνα αέρα στον κύλινδρο και στην αντλία και σφίξτε τις καλά, εάν απαιτείται. Μη σφίγγετε υπερβολικά καθώς μπορεί να φθαρούν τα σπειρώματα.
- Βεβαιωθείτε ότι η μονάδα δεν έχει πέσει και δεν έχει εκταθεί πλήρως (10 cm [4"]).
- Διενεργήστε ΗΧΗΤΙΚΗ δοκιμή. Χωρίς να υπάρχει κανένα άτομο στη μονάδα, αντλήστε πίεση μέχρι να κάνει έναν ισχυρό θόρυβο η μονάδα (περίπου στις 22,6 kg [50 λίρες]). Κατόπιν, περιστρέψτε το μανόμετρο στη θέση εκτόνωσης και προχωρήστε στη θεραπεία σας.

Εάν έχετε οποιοδήποτε απορίες, επικοινωνήστε με τον εξουσιοδοτημένο αντιπρόσωπο προϊόντων έλξης της Emprī ή με το Τμήμα Εξυπηρέτησης Πελατών της Emprī στον αριθμό τηλεφώνου 1-800-862-2343.

## **Ανταλλακτικά και παρελκόμενα**

Παρακάτω υπάρχει ένας κατάλογος ανταλλακτικών και παρελκομένων. Καλέστε τον αριθμό 1-800-328-2536 για λεπτομέρειες και τιμές.

### **ΠΕΡΙΓΡΑΦΗ**

Ιμάντες κεφαλής και μαξιλαράκια  
Ανταλλακτικό κιτ αντλίας χειρός  
Εξάρτημα ρύθμισης γωνίας  
Θήκη μεταφοράς  
Δίσκος DVD με οδηγίες  
Οδηγίες χρήσης

### **ΑΡΙΘΜΟΣ ΕΙΔΟΥΣ**

700723  
700472  
700724  
700725  
802968  
360365

## **Εγγύηση**

### **I. Εγγύηση**

Η Emprī εγγυάται ότι η συσκευή αυχενικής έλξης της Saunders είναι απαλλαγμένη ελαττωμάτων όσον αφορά την εργασία και τα υλικά για περίοδο ενός έτους.

Η Emprī θα επισκευάσει ή θα αντικαταστήσει, στις εγκαταστάσεις της, οποιοδήποτε προϊόν βρεθεί ότι είναι ελαττωματικό. Αυτή η εγγύηση δεν ισχύει για οποιοδήποτε προϊόν έχει υποστεί ζημιά λόγω κατάχρησης, έχει επισκευαστεί ή τροποποιηθεί από οποιοδήποτε άλλο άτομο πέραν της Emprī στην περιοχή Clear Lake, South Dakota. Αυτή η εγγύηση αντικαθιστά όλες τις άλλες εγγυήσεις, ρητές ή σιωπηρές. Κανένα άτομο δεν είναι εξουσιοδοτημένο να δεσμεύσει την Emprī σε οποιαδήποτε αντιπροσώπευση ή εγγύηση πέραν αυτών που ορίζονται συγκεκριμένα στο παρόν.

ΣΗΜΕΙΩΣΗ: Η περίοδος της εγγύησης ξεκινά την ημερομηνία αγοράς από τον κατασκευαστή και έχει διάρκεια ένα έτος.

### **II. Περιορισμοί Ευθυνών και Αποποίηση Εγγυήσεων**

A. Η μοναδική υποχρέωση της Emprī σε περίπτωση παραβίασης οποιασδήποτε από τις εγγυήσεις της που αναφέρονται στην παράγραφο I ανωτέρω, θα είναι, κατά την κρίση της Emprī, η επισκευή ή η αντικατάσταση του Προϊόντος με νέο

ή εργοστασιακά επισκευασμένο προϊόν χωρίς καμία χρέωση για τον Αγοραστή ή η επιστροφή των χρημάτων που αντιστοιχούν στην τιμή αγοράς του Προϊόντος. Προκειμένου να αποζημιωθεί με βάση αυτήν την Εγγύηση, ο Αγοραστής πρέπει να αποστείλει στην Εμπρί γραπτή ειδοποίηση σχετικά με το ελάττωμα (περιγράφοντας το πρόβλημα όσο το δυνατόν πιο λεπτομερώς) πριν από τη λήξη της Περιόδου Εγγύησης, και εντός 30 ημερών από την ανακάλυψη του ελαττώματος. Μετά από έγγραφη αίτηση και εξουσιοδότηση της Εμπρί, ο Αγοραστής πρέπει να επιστρέψει το Προϊόν στην Εμπρί, με προπληρωμένα τα έξοδα μεταφοράς και την ασφάλεια, για επιθεώρηση. Η ειδοποίηση και η αποστολή επιστροφής πρέπει να αποσταλούν στην Εμπρί στη διεύθυνση Clear Lake, 47492, HWY 22 Clear Lake, South Dakota. Ο αγοραστής μπορεί να ζητήσει την έγκριση της αποστολής επιστροφής καλώντας το Τμήμα Επισκευών της Εμπρί στον αριθμό τηλεφώνου χωρίς χρέωση 1-800-862-2343. Σε περίπτωση επισκευών ή επιστροφών από περιοχές εκτός Βορείου Αμερικής, επικοινωνήστε με τον τοπικό Εξουσιοδοτημένο Διανομέα της Εμπρί ή επικοινωνήστε με την Εμπρί απευθείας στον αριθμό τηλεφώνου 1-800-328-2536. Η Εμπρί δεν θα φέρει καμία ευθύνη για τυχόν ζημιές που οφείλονται σε ακατάλληλη συσκευασία ή αποστολή. Εάν η Εμπρί προσδιορίσει, κατά την απόλυτη διακριτική της ευχέρεια, ότι το Προϊόν περιέχει ελαττωματική εργασία ή υλικά, η Εμπρί θα επιστρέψει στον Αγοραστή τα χρήματα που αντιστοιχούν στην τιμή αγοράς του ελαττωματικού προϊόντος ή θα επιστρέψει το επισκευασμένο Προϊόν ή ένα άλλο προϊόν ως αντικατάσταση στον Αγοραστή, με τα έξοδα μεταφοράς και την ασφάλεια να βαρύνουν τον Αγοραστή, όσο το δυνατόν πιο σύντομα μετά από την παραλαβή του Προϊόντος από την Εμπρί. Εάν η Εμπρί προσδιορίσει, κατά την απόλυτη διακριτική της ευχέρεια, ότι το Προϊόν δεν περιέχει ελαττωματική εργασία ή υλικά, η Εμπρί θα επιστρέψει το Προϊόν στον Αγοραστή, με τα έξοδα μεταφοράς και την ασφάλεια να βαρύνουν τον Αγοραστή.

Β. Αυτή η εγγύηση καθίσταται άκυρη άμεσα για οποιοδήποτε Προϊόν έχει επισκευαστεί ή τροποποιηθεί από οποιοδήποτε άλλο άτομο εκτός των εξουσιοδοτημένων υπαλλήλων ή αντιπροσώπων της Εμπρί ή για προϊόντα που έχουν υποστεί εσφαλμένη χρήση, κατάχρηση, παραμέληση, ζημιά κατά τη μεταφορά, ατύχημα ή αμέλεια.

Γ. ΠΕΡΑΝ ΑΥΤΩΝ ΠΟΥ ΑΝΑΦΕΡΟΝΤΑΙ ΣΤΗΝ ΠΑΡΑΓΡΑΦΟ Ι, ΤΟ ΠΡΟΪΟΝ ΠΩΛΕΙΤΑΙ "ΩΣ ΕΧΕΙ", ΟΛΑ ΤΑ ΠΑΡΕΛΚΟΜΕΝΑ ΠΩΛΟΥΝΤΑΙ "ΩΣ ΕΧΟΥΝ" ΚΑΙ ΟΛΟΣ Ο ΚΙΝΔΥΝΟΣ ΣΧΕΤΙΚΑ ΜΕ ΤΗΝ ΠΟΙΟΤΗΤΑ ΚΑΙ ΤΗΝ ΑΠΟΔΟΣΗ ΤΟΥ ΠΡΟΪΟΝΤΟΣ ΕΝΑΠΟΚΕΙΤΑΙ ΣΤΟΝ ΑΓΟΡΑΣΤΗ. Η ΕΓΓΥΗΣΗ ΠΟΥ ΠΑΡΕΧΕΤΑΙ ΣΤΗΝ ΠΑΡΑΓΡΑΦΟ Ι ΠΡΟΟΡΙΖΕΤΑΙ ΑΠΟΚΛΕΙΣΤΙΚΑ ΠΡΟΣ ΟΦΕΛΟΣ ΤΟΥ ΑΡΧΙΚΟΥ ΑΓΟΡΑΣΤΗ ΚΑΙ Η ΕΜΠΡΙ ΑΠΟΠΟΙΕΙΤΑΙ ΟΛΕΣ ΤΙΣ ΑΛΛΕΣ ΕΓΓΥΗΣΕΙΣ, ΡΗΤΕΣ Ή ΣΙΩΠΗΡΕΣ, ΣΥΜΠΕΡΙΛΑΜΒΑΝΟΜΕΝΩΝ, ΕΝΔΕΙΚΤΙΚΑ, ΤΥΧΩΝ ΣΙΩΠΗΡΩΝ ΕΓΓΥΗΣΕΩΝ ΜΕ ΟΠΟΙΟΝΔΗΠΟΤΕ ΤΡΟΠΟ. ΩΣΤΟΣΟ, ΑΝΕΞΑΡΤΗΤΑ ΑΠΟ ΤΗΝ ΠΑΡΑΠΑΝΩ ΠΡΟΤΑΣΗ, ΣΕ ΠΕΡΙΠΤΩΣΗ ΠΟΥ ΠΡΟΣΔΙΟΡΙΣΤΕΙ Η ΥΠΑΡΞΗ ΣΙΩΠΗΡΗΣ ΕΓΓΥΗΣΗΣ, Η ΠΕΡΙΟΔΟΣ ΕΚΠΛΗΡΩΣΗΣ ΤΩΝ ΥΠΟΧΡΕΩΣΕΩΝ ΕΚ ΜΕΡΟΥΣ ΤΗΣ ΕΜΠΡΙ ΣΥΝΕΠΕΙΑ ΤΟΥΤΟΥ ΘΑ ΠΕΡΙΟΡΙΖΕΤΑΙ ΣΤΗ ΔΙΑΡΚΕΙΑ ΖΩΗΣ ΤΟΥ ΑΡΧΙΚΟΥ ΑΓΟΡΑΣΤΗ. ΚΑΝΕΝΑΣ ΥΠΑΛΛΗΛΟΣ, ΑΝΤΙΠΡΟΣΩΠΟΣ Ή ΠΡΑΚΤΟΡΑΣ ΤΗΣ ΕΜΠΡΙ ΔΕΝ ΕΧΕΙ ΚΑΜΙΑ ΕΞΟΥΣΙΟΔΟΤΗΣΗ ΝΑ ΔΕΣΜΕΥΣΕΙ ΤΗΝ ΕΜΠΡΙ, ΣΕ ΟΠΟΙΟΔΗΠΟΤΕ ΕΠΙΒΕΒΑΙΩΣΗ, ΑΝΤΙΠΡΟΣΩΠΕΥΣΗ Η ΕΓΓΥΗΣΗ ΠΕΡΑΝ ΑΥΤΩΝ ΠΟΥ ΑΝΑΦΕΡΟΝΤΑΙ ΣΕ ΑΥΤΗ ΤΗΝ ΓΡΑΠΤΗ ΠΟΛΙΤΙΚΗ ΕΓΓΥΗΣΗΣ.

(Αυτή η Εγγύηση δίνει στον Αγοραστή συγκεκριμένα νομικά δικαιώματα και ο Αγοραστής μπορεί επίσης να έχει και άλλα δικαιώματα τα οποία διαφέρουν από κράτος σε κράτος. Ορισμένα κράτη δεν επιτρέπουν περιορισμούς σχετικά με τη διάρκεια της σιωπηρής εγγύησης, οπότε ο παραπάνω περιορισμός μπορεί να μην ισχύει για τον Αγοραστή).

Δ. Η ΕΜΠΡΙ ΔΕΝ ΘΑ ΕΙΝΑΙ ΥΠΕΥΘΥΝΗ ΑΠΕΝΑΝΤΙ ΣΕ ΟΠΟΙΟΔΗΠΟΤΕ ΑΤΟΜΟ ΓΙΑ ΤΥΧΩΝ ΑΜΕΣΕΣ, ΕΜΜΕΣΕΣ, ΕΙΔΙΚΕΣ, ΤΥΧΑΙΕΣ Ή ΠΑΡΕΠΟΜΕΝΕΣ ΖΗΜΙΕΣ, ΑΠΟΛΕΣΘΕΝΤΑ ΕΞΟΔΑ Η ΙΑΤΡΙΚΑ ΕΞΟΔΑ ΠΟΥ ΠΡΟΚΛΗΘΗΚΑΝ ΛΟΓΩ ΟΠΟΙΟΥΔΗΠΟΤΕ ΕΛΑΤΤΩΜΑΤΟΣ, ΑΣΤΟΧΙΑΣ, ΔΥΣΛΕΙΤΟΥΡΓΙΑΣ ΤΟΥ ΠΡΟΪΟΝΤΟΣ Ή ΑΛΛΩΣ. ΩΣΤΟΣΟ, ΑΝΕΞΑΡΤΗΤΩΣ ΤΗΣ ΜΟΡΦΗΣ ΜΕ ΤΗΝ ΟΠΟΙΑ ΜΠΟΡΕΙ ΝΑ ΕΓΕΡΘΕΙ ΟΠΟΙΑΔΗΠΟΤΕ ΝΟΜΙΜΗ ΑΓΩΓΗ ΚΑΤΑ ΤΗΣ ΕΜΠΡΙ (Π.Χ. ΣΥΜΒΑΣΗ, ΑΜΕΛΕΙΑ Ή ΑΛΛΩΣ), Η ΑΠΟΖΗΜΙΩΣΗ ΠΟΥ ΑΝΑΦΕΡΕΤΑΙ ΣΤΗΝ ΠΑΡΑΓΡΑΦΟ Ι ΠΑΡΑΠΑΝΩ ΘΑ ΑΠΟΤΕΛΕΙ ΤΗΝ ΑΠΟΚΛΕΙΣΤΙΚΗ ΕΠΑΝΟΡΘΩΣΗ ΤΟΥ ΑΓΟΡΑΣΤΗ. Η ΕΥΘΥΝΗ ΤΗΣ ΕΜΠΡΙ ΔΕΝ ΘΑ ΥΠΕΡΒΕΙ ΣΕ ΚΑΜΙΑ ΠΕΡΙΠΤΩΣΗ, ΥΠΟ ΟΠΟΙΑΣΔΗΠΟΤΕ ΒΑΣΗ ΑΓΩΓΗΣ ΠΟΥ ΣΧΕΤΙΖΕΤΑΙ ΜΕ ΤΟ ΠΡΟΪΟΝ, ΤΗΝ ΑΞΙΑ ΑΓΟΡΑΣ ΤΟΥ ΠΡΟΪΟΝΤΟΣ.

(Η Εγγύηση δίνει στον Αγοραστή συγκεκριμένα νομικά δικαιώματα και ο Αγοραστής μπορεί επίσης να έχει και άλλα δικαιώματα τα οποία διαφέρουν από κράτος σε κράτος. Ορισμένα κράτη δεν επιτρέπουν τον αποκλεισμό ή περιορισμό των τυχαίων ή παρεπόμενων ζημιών, οπότε ο παραπάνω περιορισμός μπορεί να μην ισχύει για τον Αγοραστή).







(MDSS) Medical Device Safety Service GmbH  
Schiffgraben 41, 30175 Hannover, Germany  
Tel: 49-511-62 62 86 30



Empi, Inc.  
205 Hwy 22 East,  
Clear Lake, SD, 57226 USA  
651.415.9000; 1.800.328.2536  
[www.empi.com](http://www.empi.com)



Manufactured in Mexico by DJO for Empi.  
360365 Rev D; All Rights Reserved. © 2010 Empi

This product may be protected by one or more of the following U.S. patents owned or licensed by Empi: #6,059,548, #D415,254, #6,171,273, #6,468,240, #6,899,690 as well as foreign equivalents. Other patents pending.